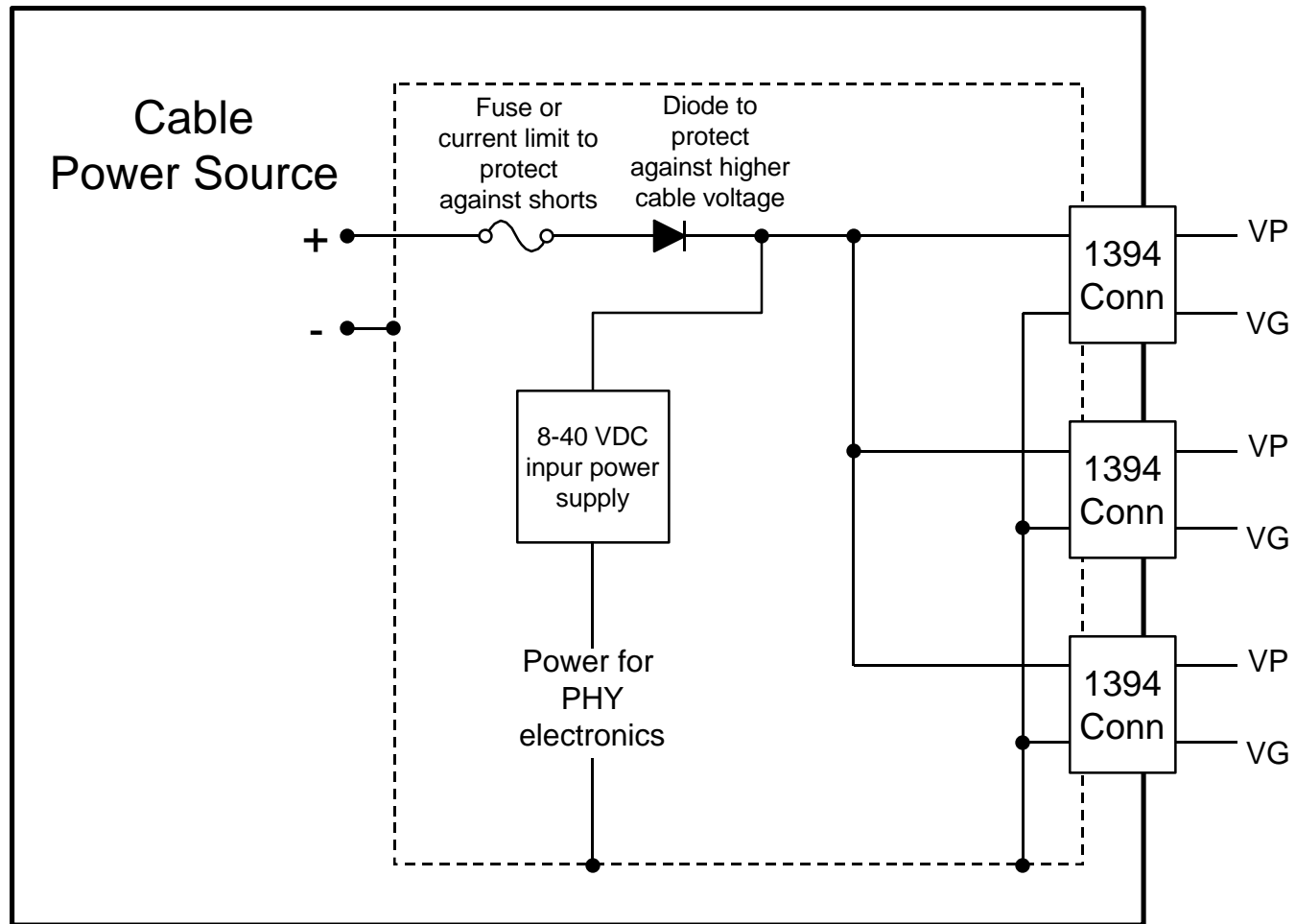
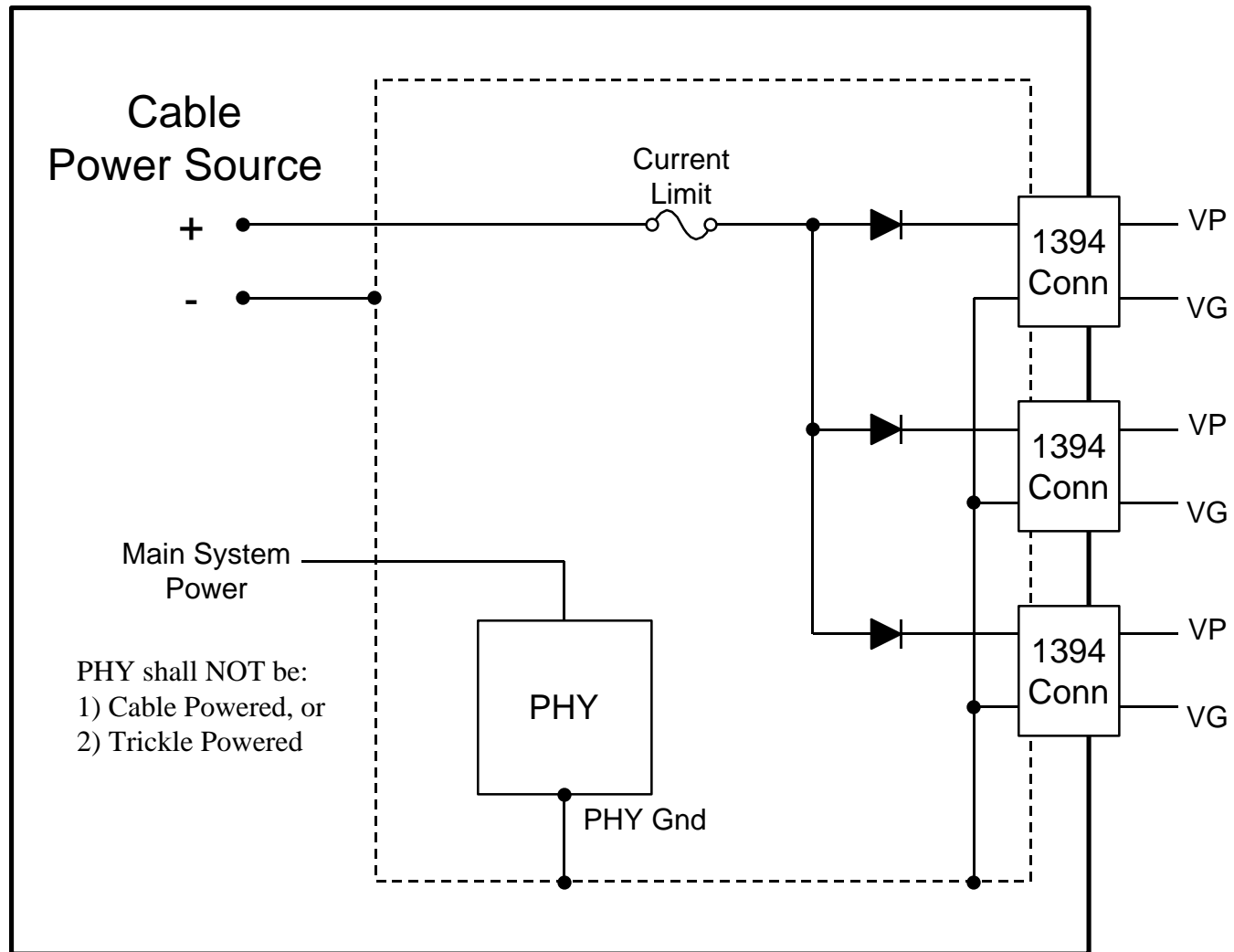


IEEE Standard 1394-1995 Power Provider

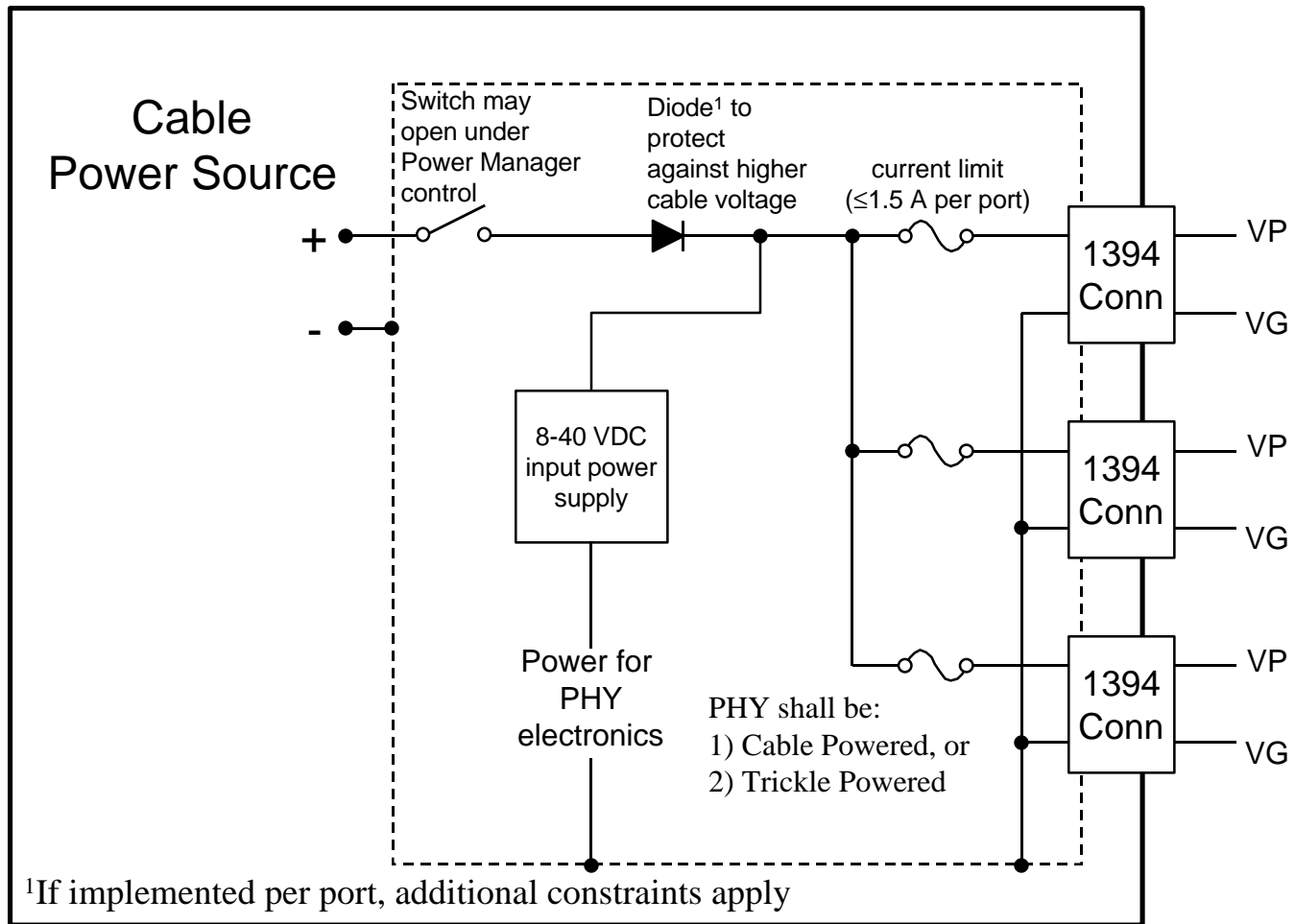


Power Provider



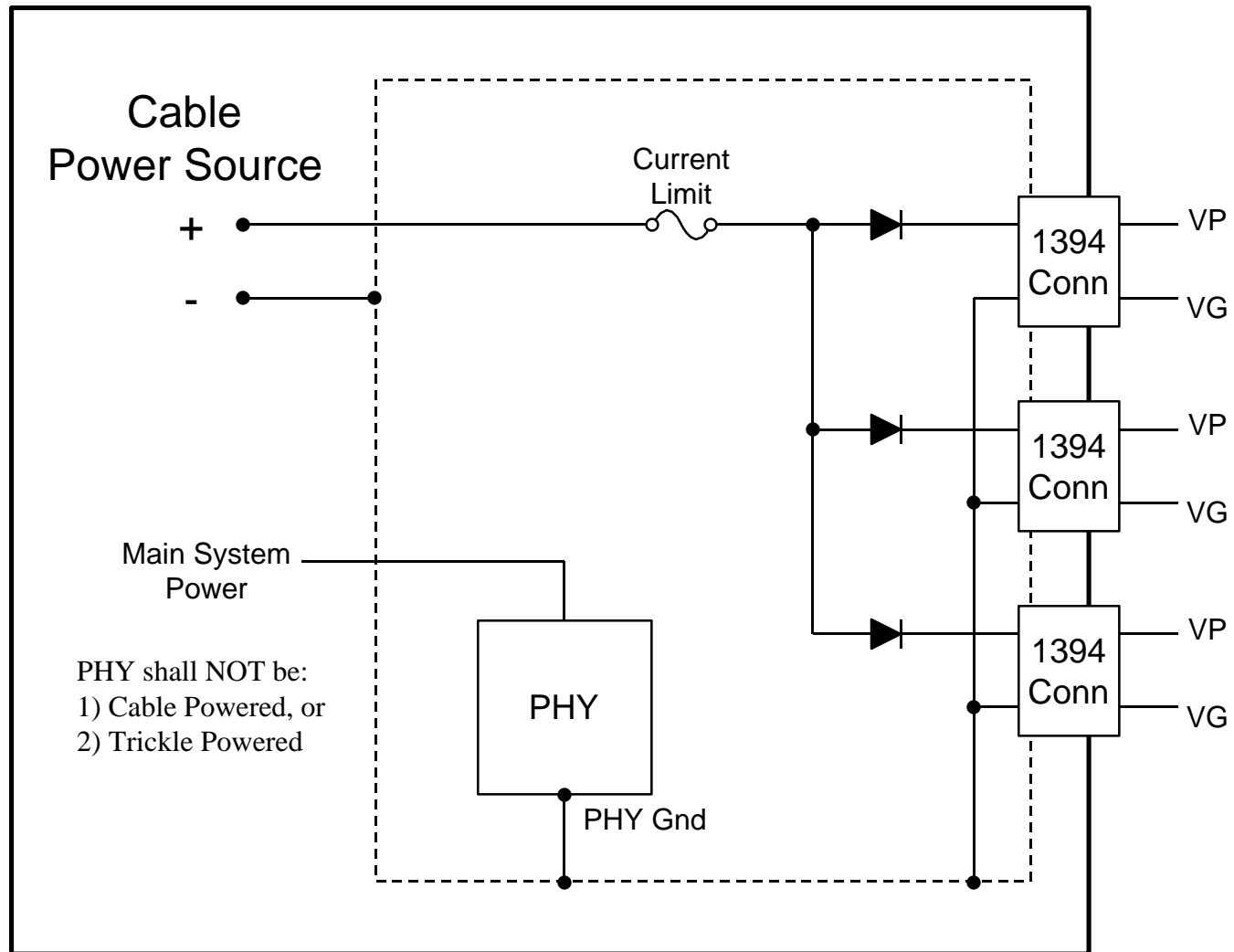
Alternate Power Provider

(launching >8 V but <20 V)



Alternate Power Provider

(launching ≥ 20 V)



Current Verbage (page 80, clause 7.3, paragraph 3):

“Power sources that identify themselves with POWER_CLASS of one, two or three in their self-ID packet(s) shall implement, for each of their ports, the diode and current limiting scheme illustrated by figure 7-2.”

Proposed Verbage (page 80, clause 7.3, paragraph 3):

“Power sources which deliver cable power at a voltage of 20 volts or more shall implement, for each of their ports, the diode and current limiting scheme illustrated by figure 7-2.”

