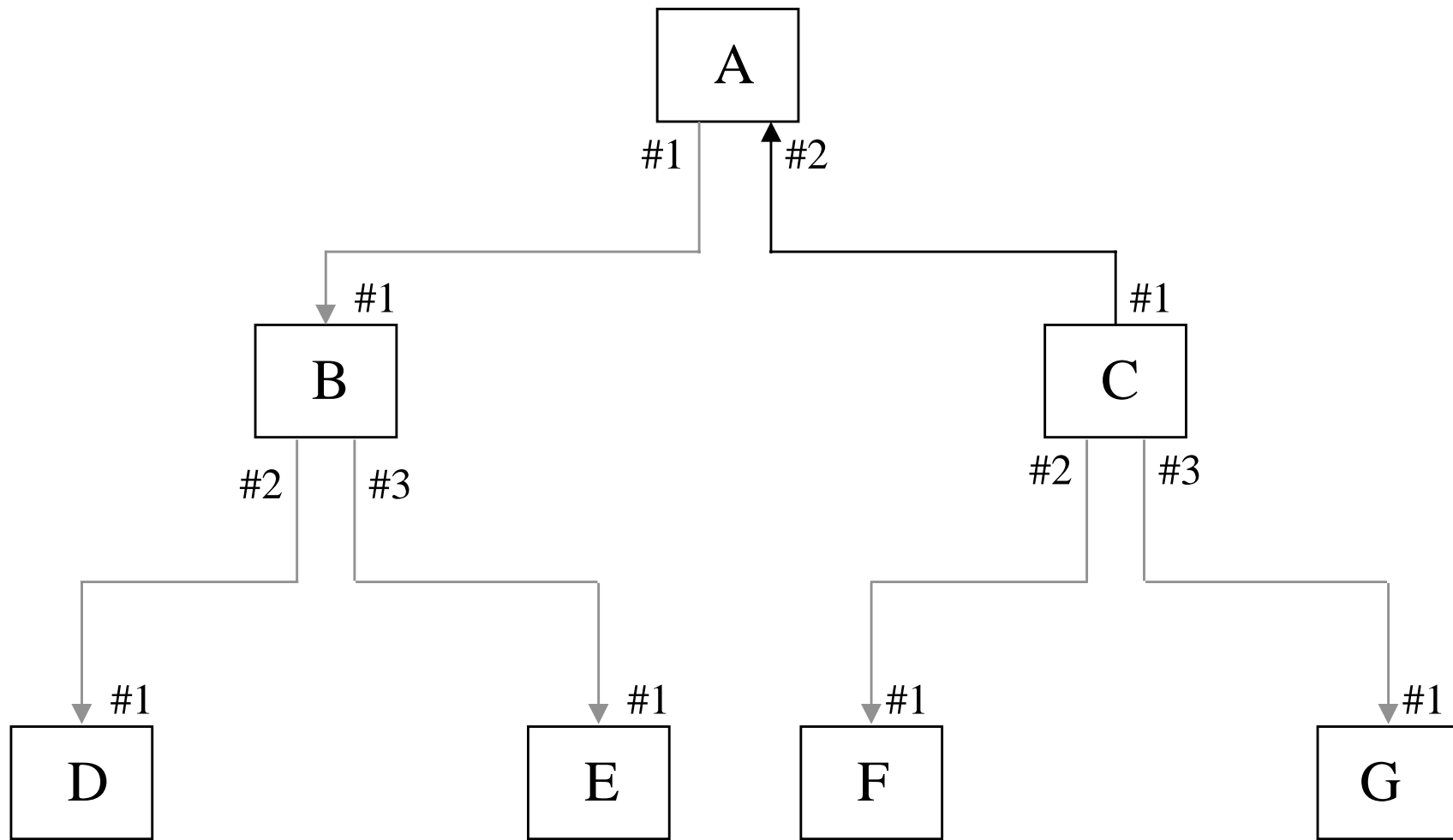
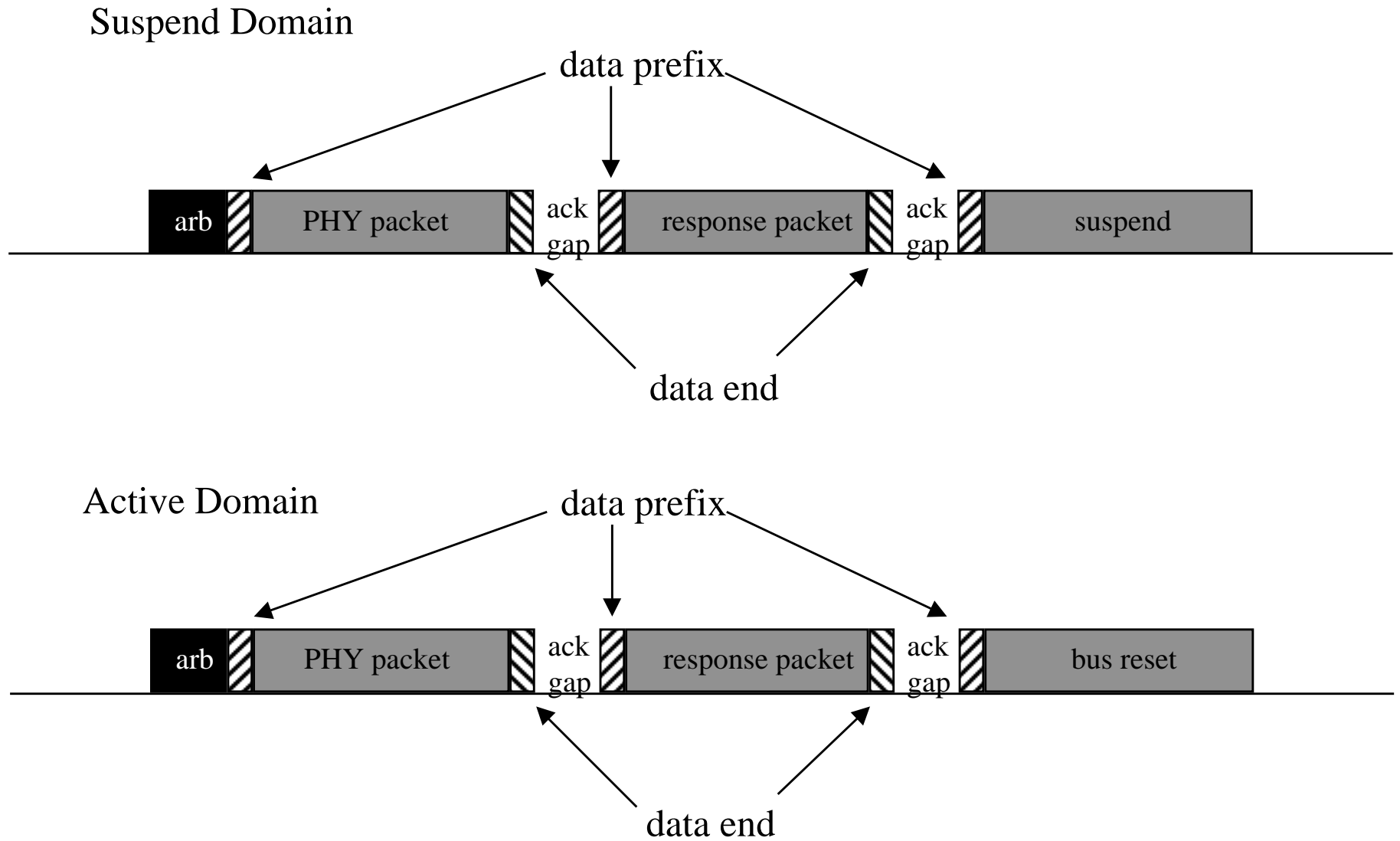


# Suspend Bus Activity

Node C sends PHY packet to node A to suspend port #1.



# BUS ACTIVITY FOR SUSPEND



# Using Disable to Isolate an Active Domain

Node B sends response packet.

Followed by TX\_DISABLE on port #1 and by short reset on ports #2 and #3.

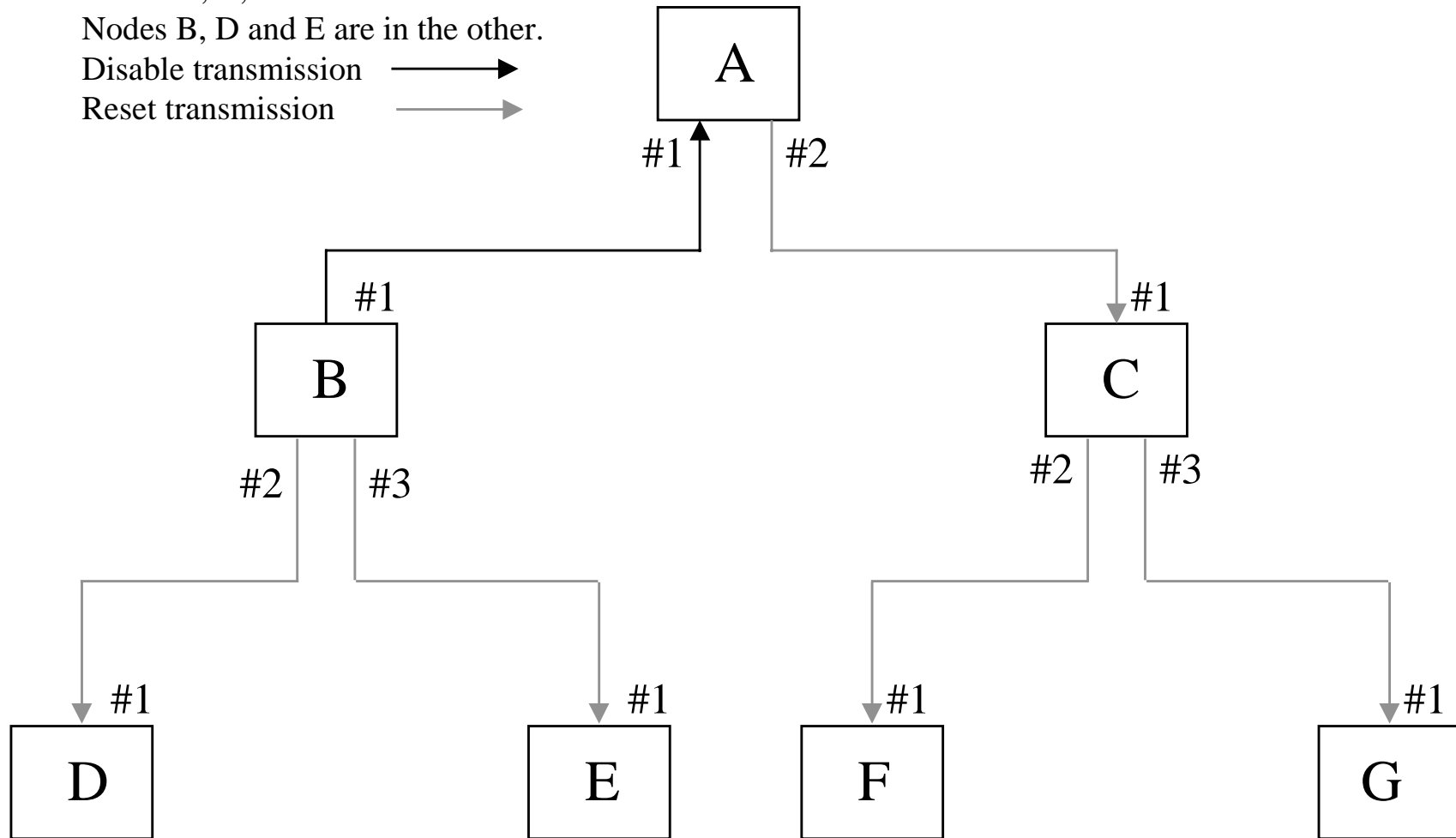
Node A suspends port #1 and transmits short reset on port #2.

Nodes A, C, F and G are in one active domain.

Nodes B, D and E are in the other.

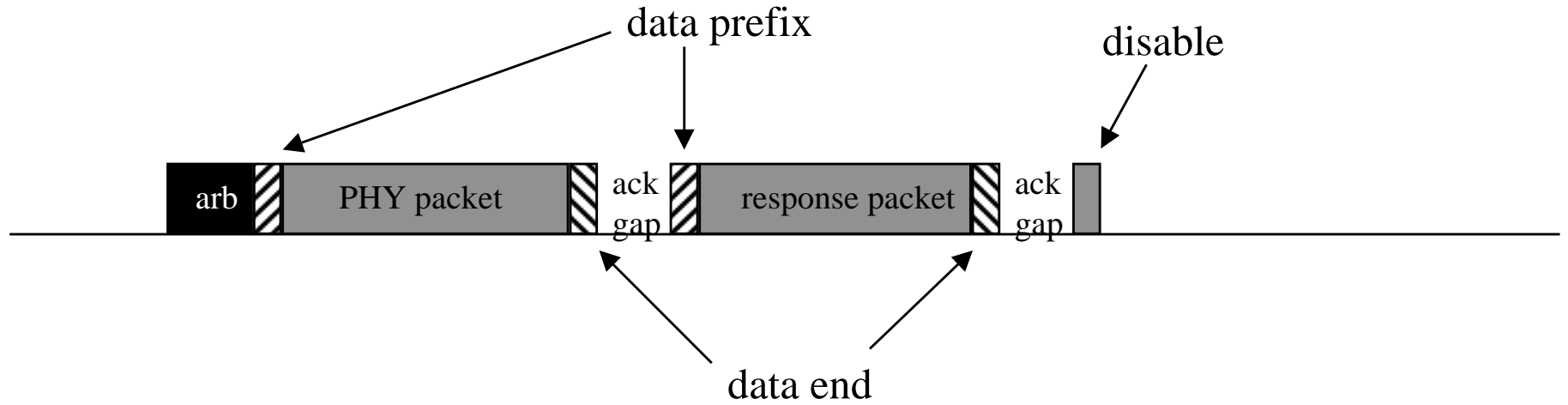
Disable transmission 

Reset transmission 

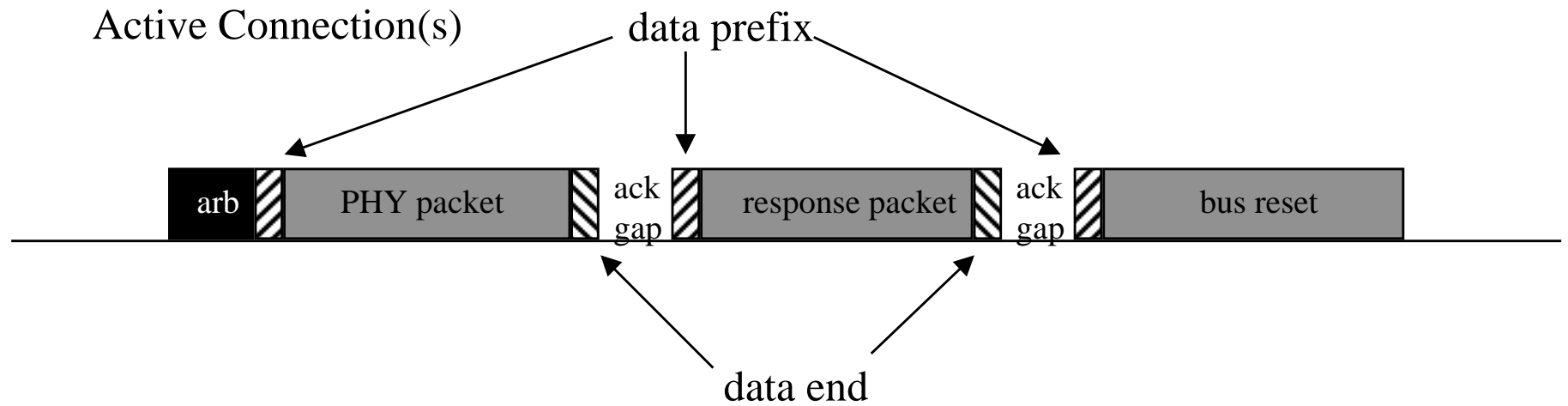


# BUS ACTIVITY FOR DISABLE

Disable Connection



Active Connection(s)



# Using Disable to Isolate an Active Domain

