

Following is a English-translated copy of documents distributed at P1394a meeting on 6/24/1997.

Contents	Page
List of Sony DV Related Products	2
DCR-PC7 Pre-Production unit radiated emission	3
DCR-PC7 Mass-Production unit radiated emission	4
DCR-PC7 Equipment list for measurement	5
DCR-PC7 Table layout for radiated emission measurement	6
DVBK-1000 Equipment list for measurement	7
DVBK-1000 Radiated emission data	8
DVBK-1000 Table layout for radiated emission measurement	9
DVBK-2000 Equipment list and system configuration for measurement	10
DVBK-2000 Radiated emission data	11
DVBK-2000 Table layout for radiated emission measurement	12

This data has been prepared for posting by

Takao Yasuda, Architecture Lab, Sony Corporation

contact: yasudat@net.arch.sony.co.jp

Sony DV Related Products

All models have 4 pin connectors.

Model #	Description	FCC Part 15 Classification	Authorization	FCC ID
DVBK-2000	DV Still Image Capture Board	Class B computers & peripherals	Certification	AK8DVBK2000
DVBK-1000	DV Still Image Capture Board	Class B computers & peripherals	Certification	AK8DVBK1000
PCGA-DB7	Docking Station	Class B computers & peripherals	Certification	not required (DOC)
PCGA-DH7	Docking Station	Class B computers & peripherals	Certification	not required (DOC)
DCR-VX1000	Digital Video Camera	Other Class B digital devices & peripherals	Verification	not required
DCR-VX700	Digital Video Camera	Other Class B digital devices & peripherals	Verification	not required
DCR-PC7	Digital Video Camera	Other Class B digital devices & peripherals	Verification	not required
DCR-TR7	Digital Video Camera	Other Class B digital devices & peripherals	Verification	not required
DHR-1000	Digital Video Deck	TV Interface device	Certification	AK8DHR1000

DCR-PC7

Pre-Production Unit Radiated Emission

Model name: DCR-PC7 (Pre-Production Unit) --- NOTE

Serial number: None

Power Supply: AC-V100

Load: 120V/60Hz

Date: July 9, 1996

Regulation: [FCC Part 15] Class B Digital Device

Frequency	Antenna Polarity	Meter Reading at 3m	Correction Factor	Field Strength at 3m	
				dB (uV/m)	(uV/m)
MHz	H/V	dB (uV)	dB	dB (uV/m)	(uV/m)
41.9	H	17.4	15.6	33.0	44.6
49.2	H	19.6	12.6	32.2	40.9
82.0	H	23.8	8.9	32.7	43.1
* 126.9	H	27.2	14.7	41.9	124.2
134.0	H	20.4	15.2	35.6	60.2
145.3	H	20.2	15.9	36.1	64.2
159.4	H	18.8	16.8	35.6	60.6
196.7	H	19.0	18.6	37.6	75.7

* Quasi-Peak Mode

NOTE:

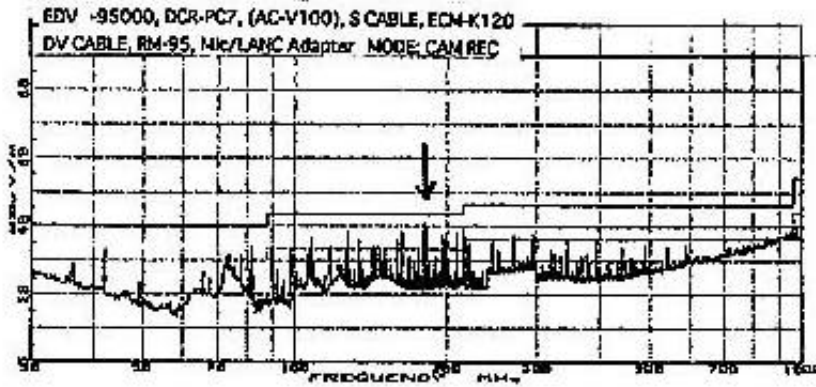
This test has been done as one of the Q&A clearance procedures before the market launch of the model.

DCR-PC7

Mass Production Unit Radiated Emission

MODEL NAME	DCR-PC7	BAND NUMBER	S MEARS MODE: G
SERIAL NO.	1005300	ANTENNA MODE	H & V
POWER SUPPLY	AC-V100	TEST EQUIP	R3361, R3551
LOAD	1200V/60Hz	OPERATOR	KARIYA
DET. MODE	PEAK	WEATHER COND.	FINE
Limits	(30 - 1000 MHz)	DATE: 15 NOV. 1996	TIME: 10:00

[FCC] Class B (3m)



Arrow indicates the point with less than 3 dB of margin.

((((((((WORST DATAS OF MEASUREMENT RESULTS))))))))

No.	Emission Frequency (MHz)	Corr. Factor (dB)	Meter Read. dB(uV)	Field Strength dBuV/m	Table Deg. (°)	Antna Pos. (cm)	Limits at 3m dBuV/m	Margin Level (dB)
1	190.143	17.9	22.8	40.7	***	***	43.5	+2.8
2	181.571	18.0	22.0	40.0	***	***	43.5	+3.5
3	216.000	19.2	20.0	39.2	***	***	43.5	+4.3
4	127.143	14.7	23.8	38.5	***	***	43.5	+5.0
5	163.429	17.1	21.0	38.1	***	***	43.5	+5.4
6	209.286	19.0	19.6	37.6	***	***	43.5	+5.9
7	92.200	8.9	24.8	33.7	***	***	40.0	+6.3
9	196.714	18.6	18.4	37.0	***	***	43.5	+6.5
9	41.900	15.6	17.4	33.0	***	***	40.0	+7.0
10	159.143	16.8	19.6	36.4	***	***	43.5	+7.1

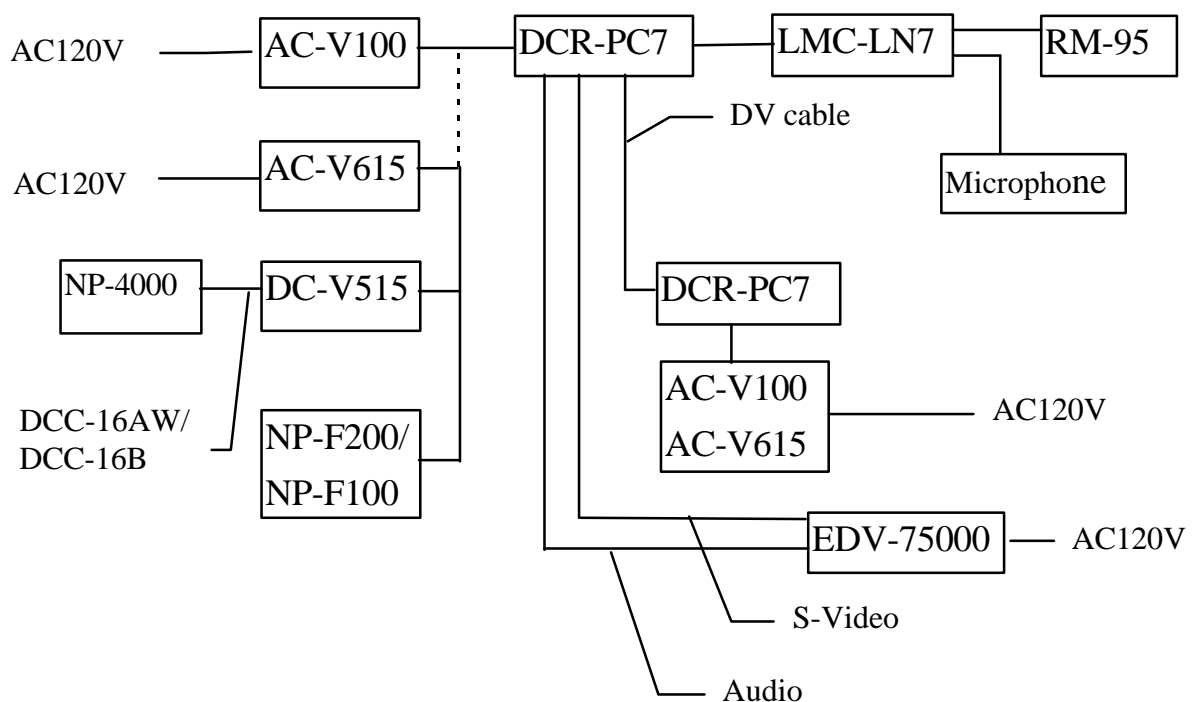
DCR-PC7

Equipment List for Measurement

	Model #	Description	Manufacturer	Accessory category
1	DCR-PC7	Video Camera Recorder	Sony Minokamo	
2	AC-V100	AC Power Adapter	Sony Sendai	supplied
3	AC-V615	AC Power Adapter	Towada Audio	optional
4	RM-95	Remote commander	Hoshiden	optional
*	NP-4000	Rechargeable Battery	Matsushita/ Sanyo	optional
*	DC-V515	DC Adapter		optional
*	DCC-16B/DCC-16AW	Car Battery Cable	Hoshiden	optional
8	NP-F200/NP-F100	Rechargeable Battery		supplied
*	EDV-7500	VCR	Sony	optional
10	VMC-LM7	Microphone Adapter		optional

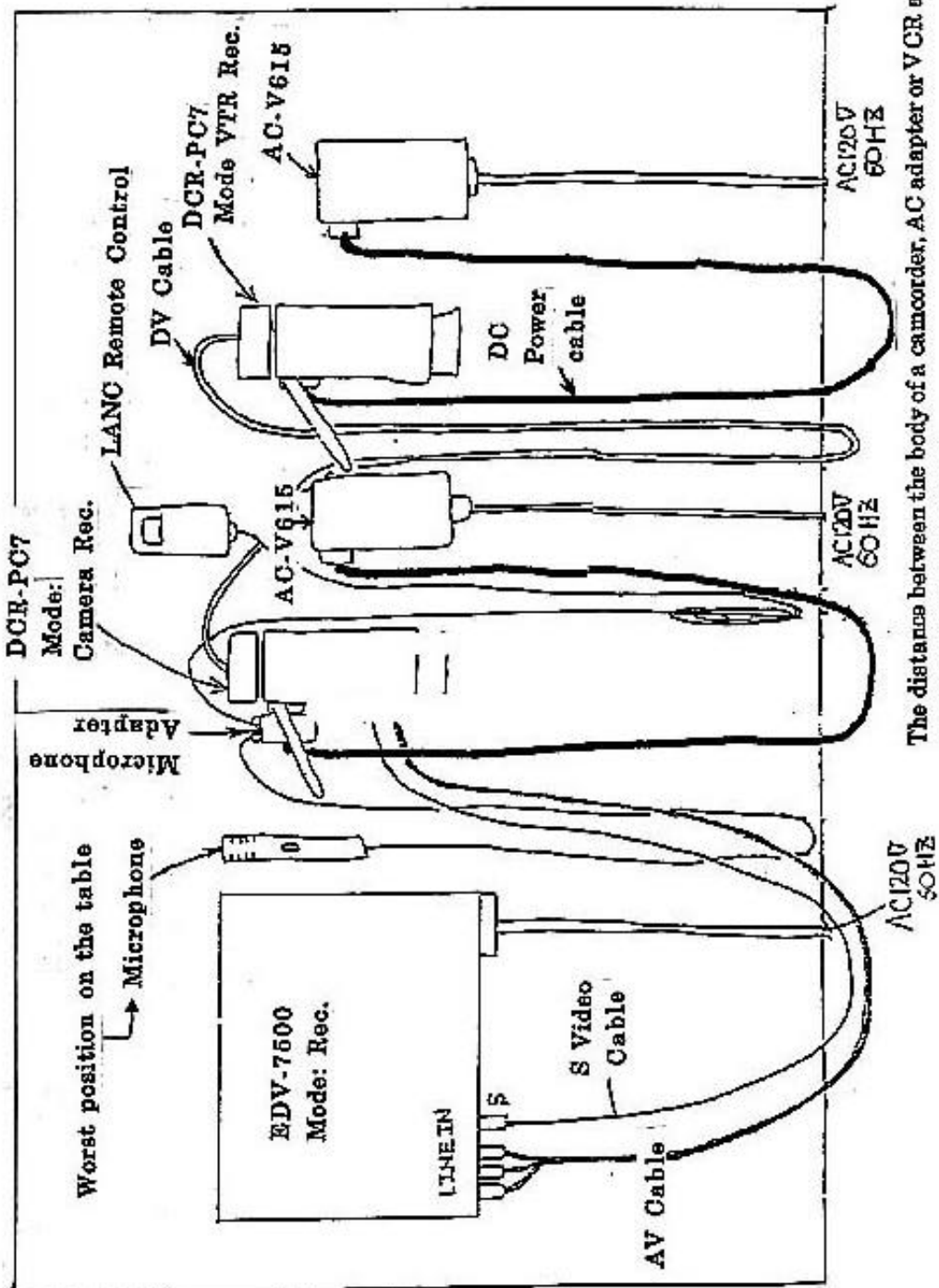
* can be replaced with equivalent equipment

System Connection Diagram



DCR-PC7

Table layout for radiated emission measurement



The distance between the body of a camcorder, AC adapter or VCR and their peripherals should be 10 cm.

DVBK-1000

Equipment List for Measurement

Host Digital Device (Certified or Verified)

Manufacturer	Model Name	FCC ID	Description
HP	Vectra VL 5/100 Series 4	HCJVECTRAVL5	Personal computer

Peripheral Device (Certified or Verified)

Manufacturer	Model Name	Serial #	FCC ID	Description
Sony	DVBK-2000	None	AK8DVBK1000	Still Image Capture Board
Compaq	Presario	15SV	CSYSC-428PTJ	Monitor
HP	Mouse	None	DZL210582	Mouse
HP	RT6670 TJP	None	AQ6ZG-RT687XT	Keyboard
HP	225C	None	BS46XU2225C-L	Printer
Sony	CVI-1000	None	AK8CV1000	RS-232C Peripheral
Sony	DCR-VX700	None	N/A	VCR
Sony	AC-V515	None	N/A	AC Power Adapter

Power Supply Cord: 3 Pronged, Unshielded

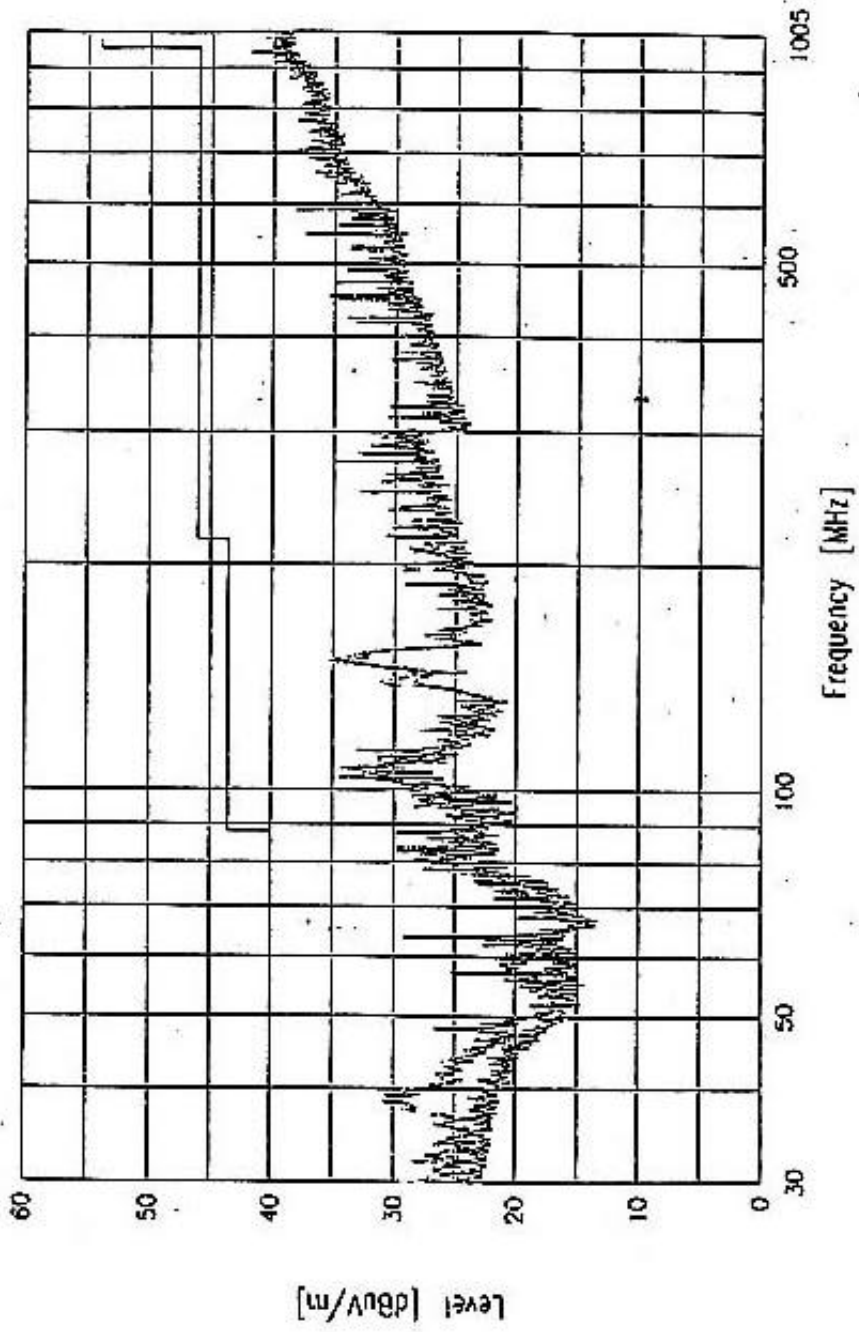
Connection Cable List

Description	Model #	Construction	Length
DV Cable	VMC-2DV	Shielded; Metallic hoods	2m
LANC Cable	VK820	Shielded; Metallic hoods	2m
Printer Cable	none	Shielded; Metallic hoods	2m

DVBK-1000

Date/Time 26 Mrch, 1996, 14:25

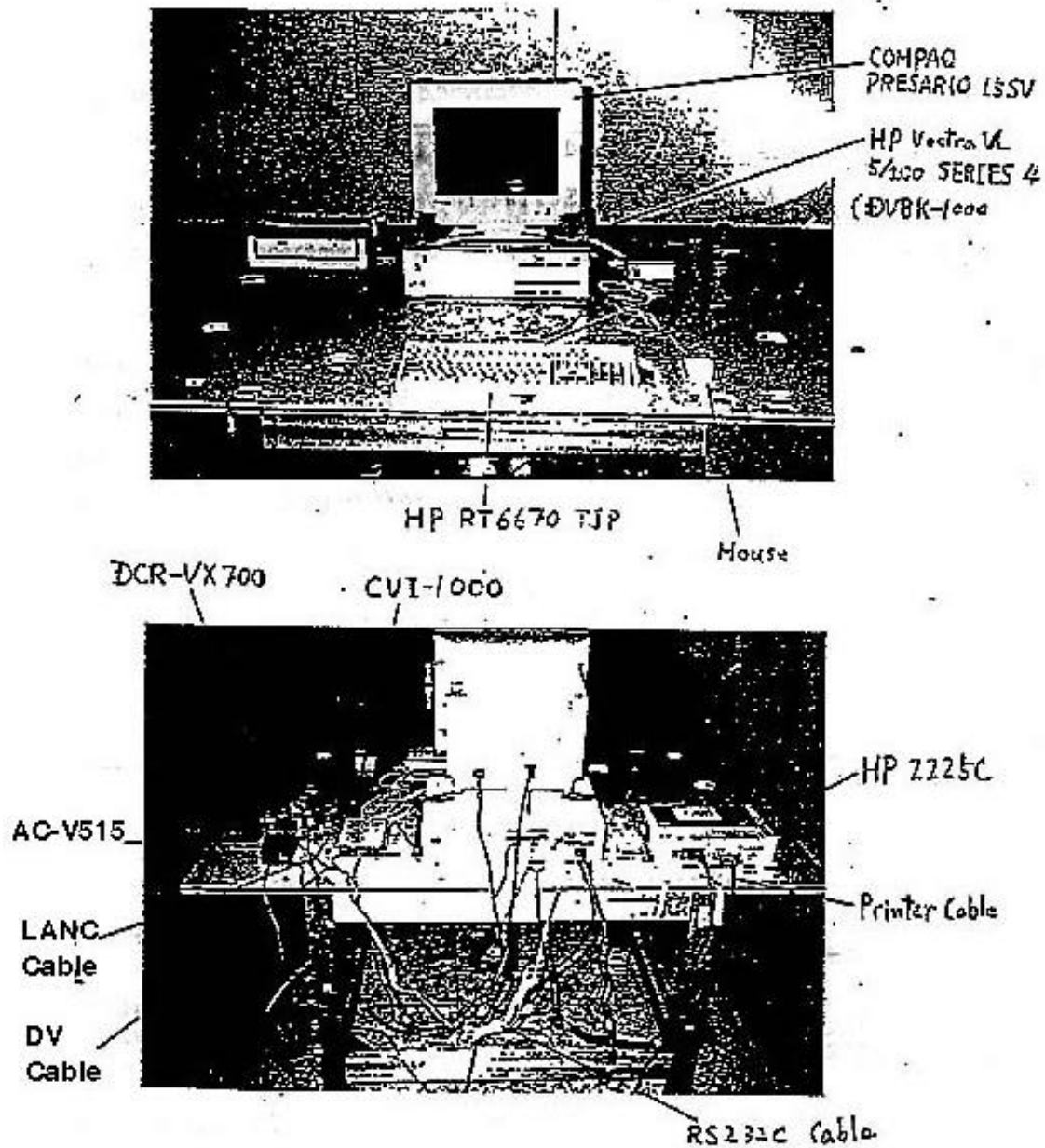
Model DVBK-1000 Standard FCC New Part 15 (Original) B
Serial # None Operator K. Morita
Remarks Capture Mode
DCR-VX700, Vectra VL 5//10, Presario 15 SV, CI100, 2225C



DVBK-1000

(still image capture board)

Table layout for DVBK-1000 measurement



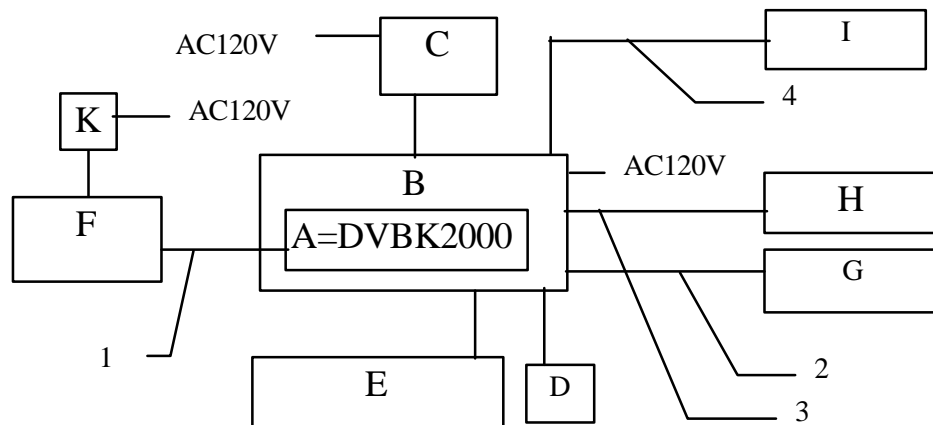
DVBK-2000

Equipment List and System configuration for Measurement

	Brand	Model name	Description	FCC ID	Serial #
A	Sony	DVBK-2000	Still image capture board	AK8DVBK2000	N/A
B	HP	Vectra VL5/100	Personal computer	HCJVCTRAVL5	SG61002193
C	HP	D2811A	Monitor	HCJVCTRAVL5	MY60303728
D	HP	C3571B	Mouse	JVP7134T	LZA40435992
E	HP	C3755B	Keyboard	DZL210582	61651391
F	Sony	DCR-VX700	Digital Camcorder	AQ6ZG-RT687XT	29679
G	Canon	BJ-200e	Printer	N/A	SLY59619
H	Sony	CVI-1000	Video computer I/F	AZDK10110A	N/A
I	Hayes	6802US	Modem	AK8CVI1000	B0896802356
J	Hayes	52-00005	AC Adapter	BFJ9-D9-6802US	N/A
K	Sony	AC-V515	AC Adapter	N/A	
L	Sony	AC-E4M	AC Adapter	N/A	

Cable List

	Brand	Model Name	Description	Length	Shielded/ Unshielded	W or W/O Ferrite
1	Sony	VMC-2DV	DV Cable	2.0 m	Shielded	W/O
2	Sanwa	KPU-PS552K	Printer Cable	2.0 m	Shielded	W
3	Sony	SMF-53F2A	Video/computer Cable	2.0 m	Shielded	W/O
4	Hayes	KRS-413XF1K	Modem Cable	1.5 m	Shielded	W/O



DVBK-2000

Model DVBK-2000
 Serial# RYOUNT2
 Standard FCC New Part 15 (Digital) B
 Condition file fcc_n_db
 Condition PC+Board+All Peripheral
 Remarks HP Vectra+HP Monitor+Keyboard+Mouse+DCR-VX700+Board
 +Modem+CVI-1000+Printer

AC Power 120V 60 Hz
 Temperature deg.
 Humidity %
 Operator Kikuchi

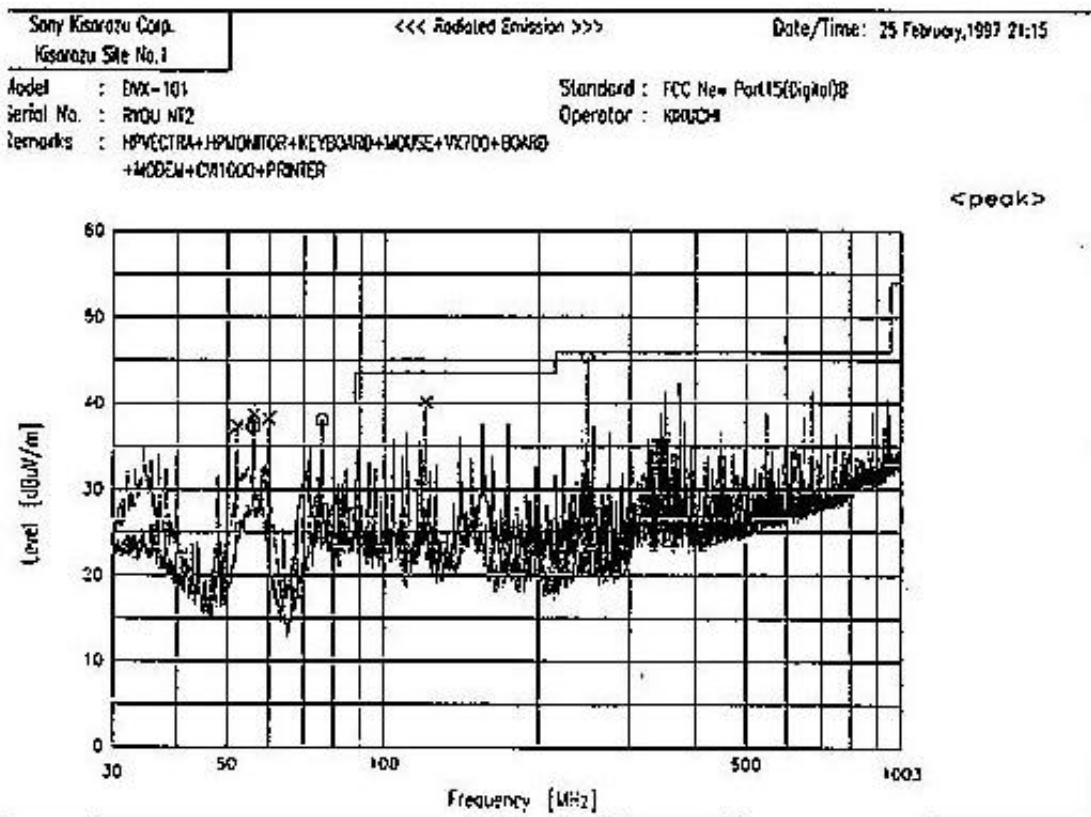
Spectrum Selection

Horizontal Polarization -

Frequency [MHz]	Reading [dBuV]	c.f. [dB]	Result [dBuV/m]	Limit [dBuV/m]	Margin [dB]
56.029	52.5	-15.2	37.3	40.0	2.7
76.148	51.4	-13.3	38.1	40.0	1.9
249.451	51.4	-6.0	45.4	46.0	0.6

Vertical Polarization -

Frequency [MHz]	Reading [dBuV]	c.f. [dB]	Result [dBuV/m]	Limit [dBuV/m]	Margin [dB]
52.167	51.2	-13.7	37.5	40.0	2.5
56.164	54.0	-15.3	38.7	40.0	1.3
60.025	54.1	-15.8	38.3	40.0	1.7
120.161	47.3	-7.1	40.2	43.5	3.3



DVBK-2000
(still image capture board)

Equipment layout for DVBK-2000 measurement

