



■ ■ ■ ■ ■ ■ ■ ■ ■ ■

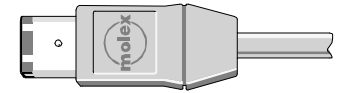
Molex 1394-95 6 ckt. I/O Connector Only Differential Electrical Performance



IEEE 1394 Meetings
August 4-8, 1997
Honolulu, HI

■ ■ ■ ■ ■ ■ ■ ■ ■ ■

Max Bassler - Molex representative- IEEE 1394a + b groups
Dave Brunker - presenter

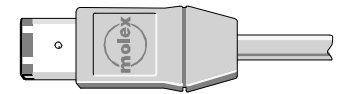


Molex 1394-95 6ckt. I/O



Connector Only; Introduction

- Data presented is for the connector only; no 1394 cable is attached. This allows for a focused and detailed review of connector only performance.
- The differential electrical performance for impedance, crosstalk, propagation delay, and risetime degradation is included.

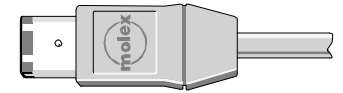


Molex 1394-95 6ckt. I/O



Connector only Test Fixture

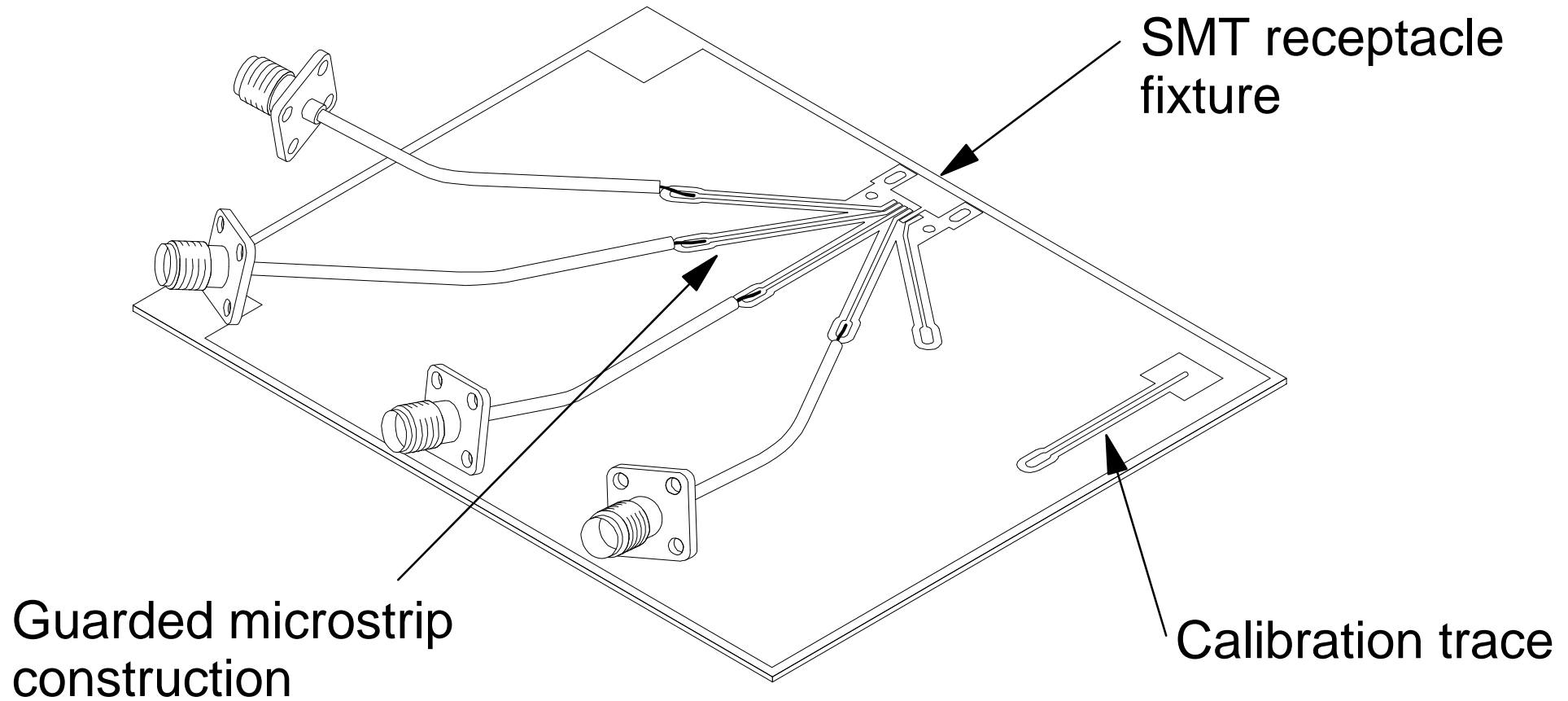
- Time domain based empirical evaluation
- The test fixture is constructed as follows:
 - Semi-rigid coax feeds (100 ohms differential) to provide an interface to the PCB
 - Printed circuit board (110 ohms differential traces) to provide an interface to the receptacle connector including the effects of pad/via loading
 - Plug terminations
 - ▶ TDR - time domain reflectometry measurement resistive terminations (110 ohms differential)
 - ▶ TDT - time domain through measurement semi-rigid coax (100 ohms differential) interface

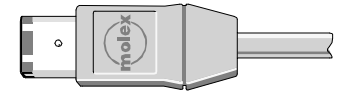


Molex 1394-95 6ckt. I/O



Connector only Test Fixture

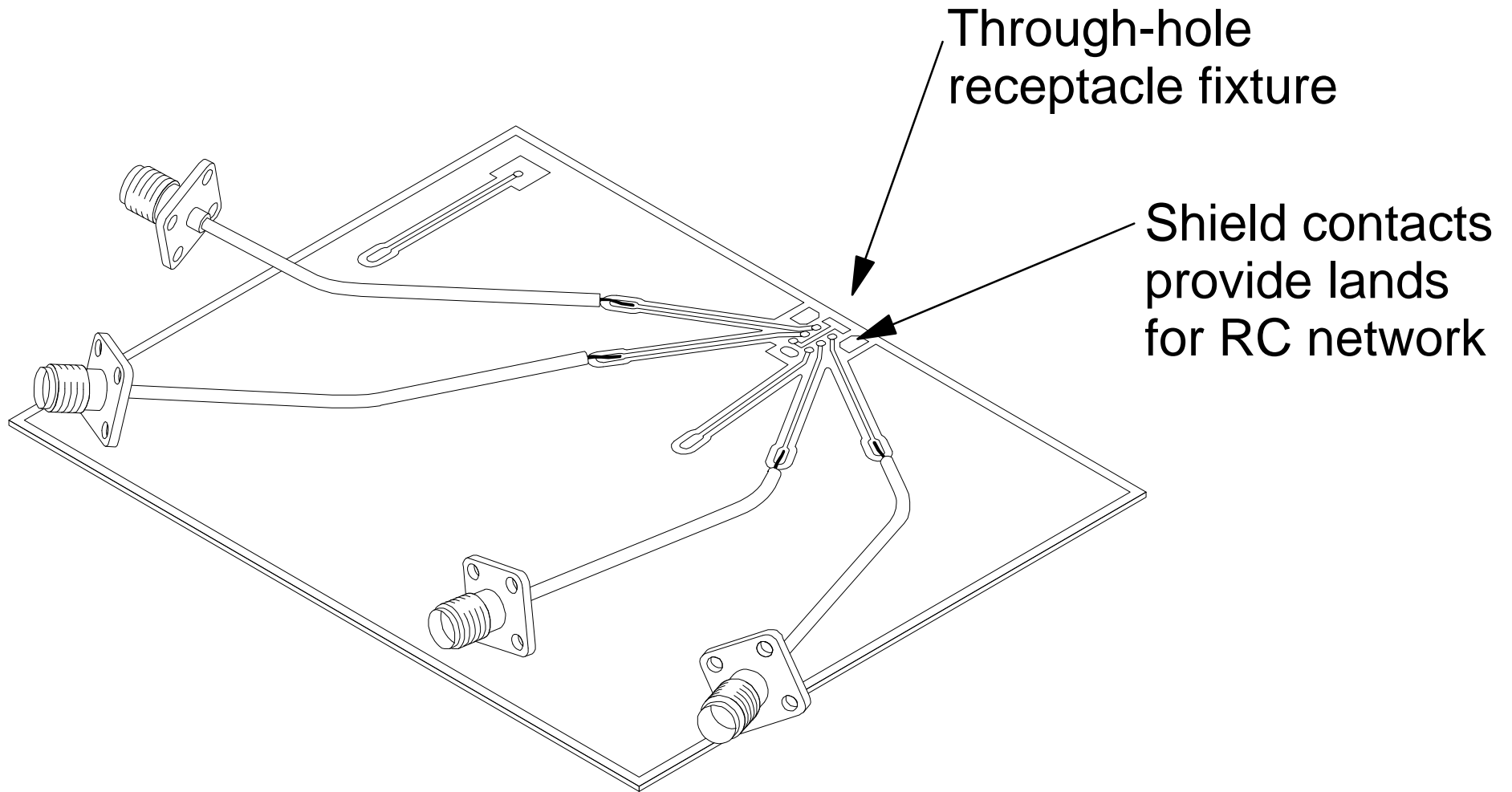


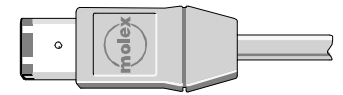


Molex 1394-95 6ckt. I/O



Connector only Test Fixture





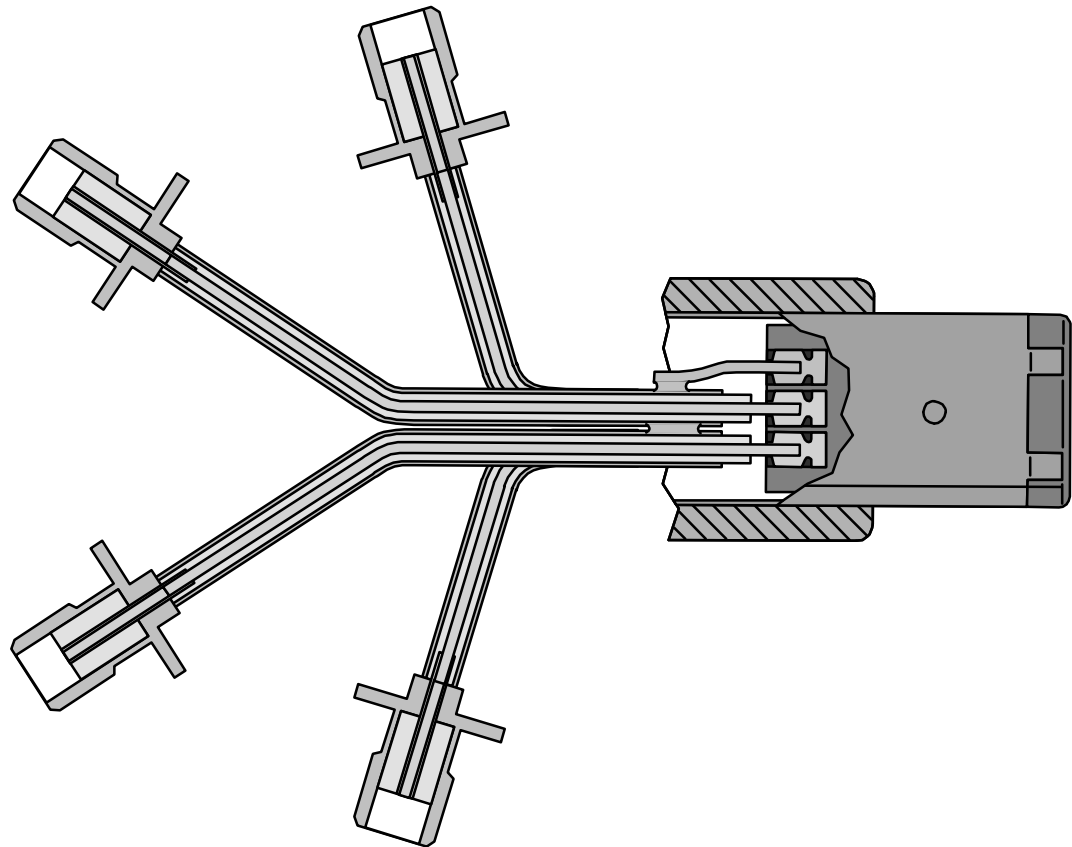
Molex 1394-95 6ckt. I/O

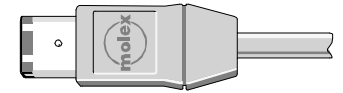


Connector only Test Fixture

Color Key

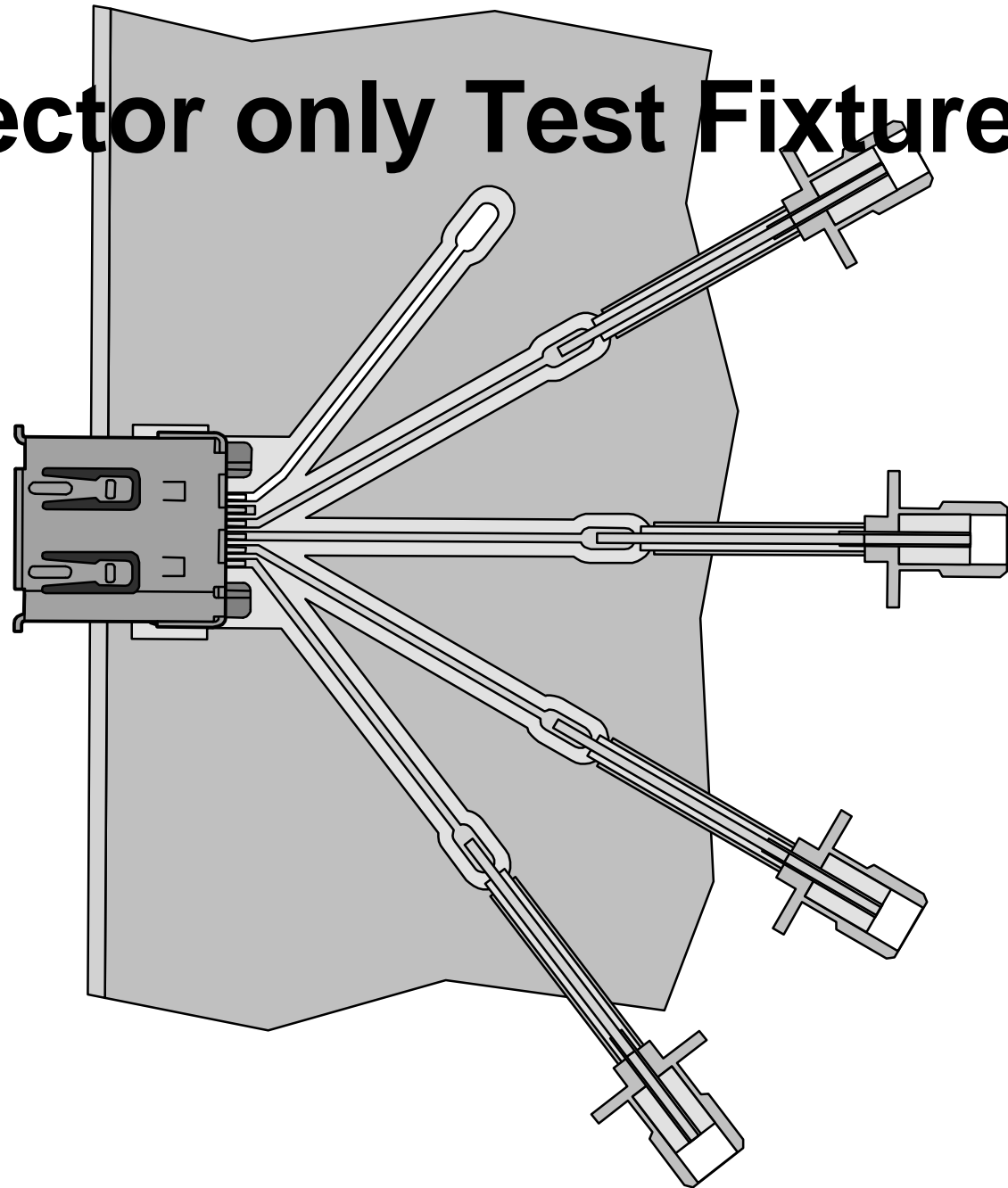
Color	Function
green	outer shield
yellow	signal lines
blue	signal return





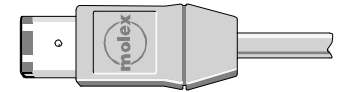
Molex 1394-95 6ckt. I/O

Connector only Test Fixture



Color Key

Color	Function
green	outer shield
yellow	signal lines
blue	signal return

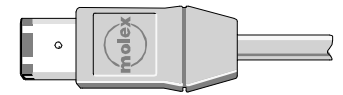


Molex 1394-95 6ckt. I/O



Test Conditions; Differential Impedance

<u>Load Impedance</u>	110 ohms differential (resistive load)
<u>Source impedance</u>	110 ohms differential (2 x 55 ohm PCB)
<u>Test Risetime (10% - 90%)</u> (Equipment used was the Tektronix 11801B Digital Sampling Oscilloscope with SD-24 TDR/DTDR heads) (The filtering function on the 11801B was used to generate the noted risetimes)	26ps*, 150ps, 250ps, 500ps*, 1000ps (*The maximum and minimum impedance values are listed for these risetimes in the results tables)
<u>Vg and Vp configuration</u>	Both receptacle and plug side are terminated with 30 ohms between Vg and Vp. Coax are shields tied to Vg.
<u>External Shield</u> (Receptacle to PCB ground plane network)	R = 1 Megohm shunt C = 2 x 0.05 microfarad parallel ceramic chips @ 50 DCWV shunt

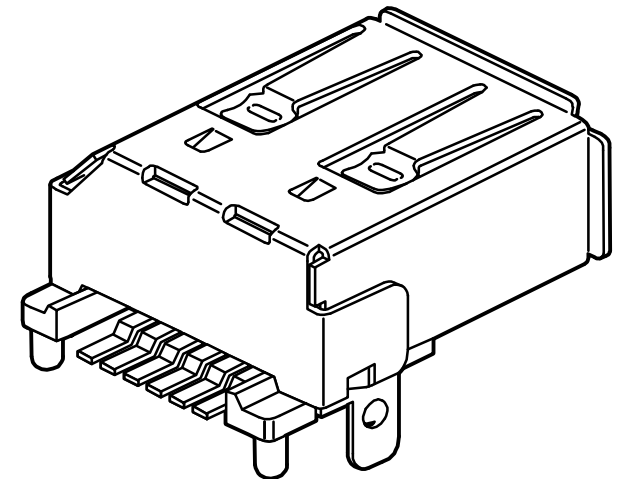
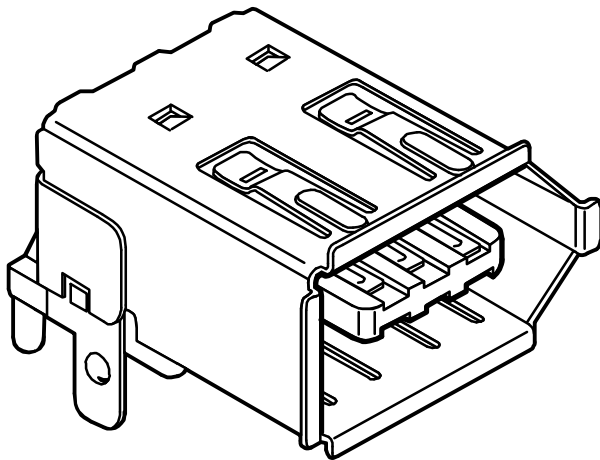


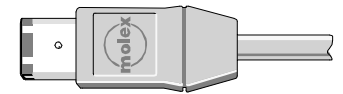
Molex 1394-95 6ckt. I/O



SMT/Flat Differential Impedance Results

	<u>Drive Pair A</u>		<u>Drive Pair B</u>	
Risetime (ps)	Maximum Differential Z (ohms)	Minimum Differential Z (ohms)	Maximum Differential Z (ohms)	Minimum Differential Z (ohms)
tr = 26 ps	102.5 ohms	61.4 ohms	105.9 ohms	62.4 ohms
tr = 500 ps	110.2 ohms	88.8 ohms	100.9 ohms	88.8 ohms



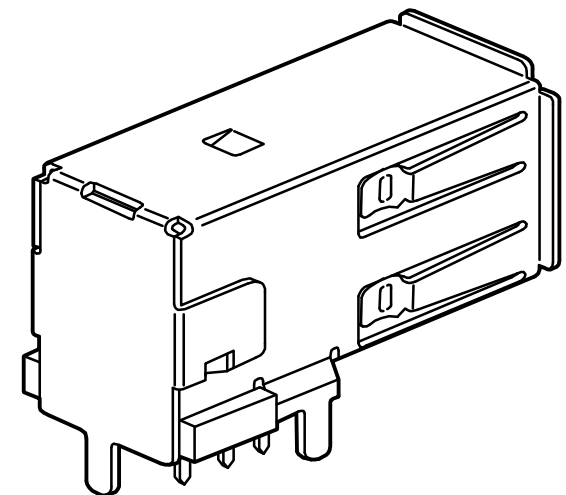
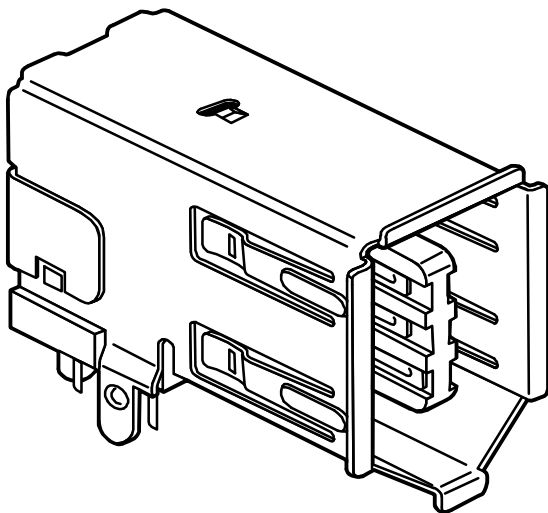


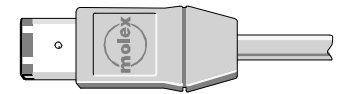
Molex 1394-95 6ckt. I/O



Through Hole/Upright Differential Impedance Results

	<u>Drive Pair A</u>		<u>Drive Pair B</u>	
Risetime (ps)	Maximum Differential Z (ohms)	Minimum Differential Z (ohms)	Maximum Differential Z (ohms)	Minimum Differential Z (ohms)
tr = 26 ps	126.0 ohms	60.1 ohms	146.3 ohms	63.4 ohms
tr = 500 ps	102.1 ohms	93.5 ohms	101.6 ohms	94.6 ohms



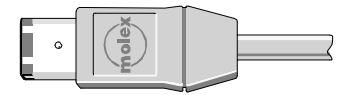


Molex 1394-95 6ckt. I/O



Test Conditions; Differential Crosstalk

<u>Load Impedance</u>	100 ohms differential (2 x 50 ohm coax)
<u>Source impedance</u>	110 ohms differential (2 x 55 ohm PCB)
<u>Test Risetime (10% - 90%)</u> V _{applied} = 500 mV p-p (Equipment used was the Tektronix 11801B Digital Sampling Oscilloscope with SD-24 TDR/DTDR and SD-22 sampling heads)	150ps 250ps 433ps
<u>V_g and V_p configuration</u>	Both receptacle and plug side are terminated with 30 ohms between V _g and V _p . Coax shields are tied to V _g .
<u>External Shield</u> (Receptacle to PCB ground plane network)	R = 1 Megohm shunt C = 2 x 0.05 microfarad parallel ceramic chips @ 50 DCWV shunt

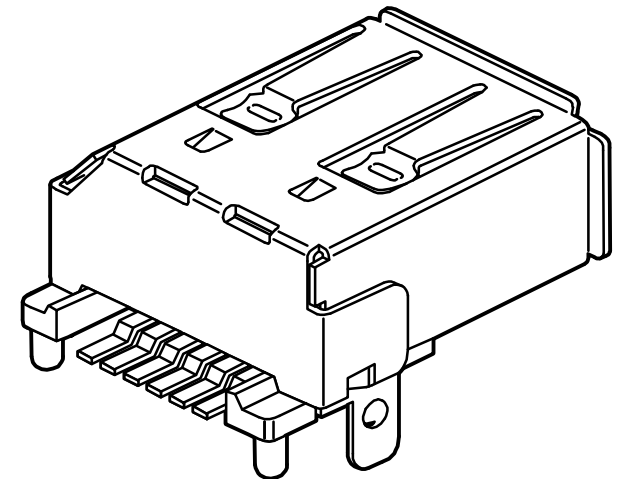
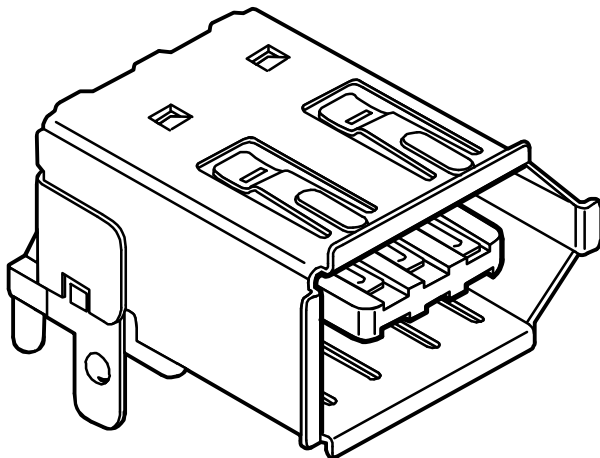


Molex 1394-95 6ckt. I/O



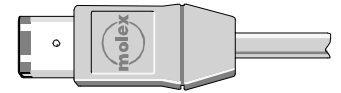
SMT/Flat Differential Crosstalk Results

<u>Risetime</u>	<u>Near End (NEXT)</u>	<u>Far End (FEXT)</u>
150 ps	4.2%	2.0%
250 ps	3.6%	1.0%
433 ps	1.9%	0.5%



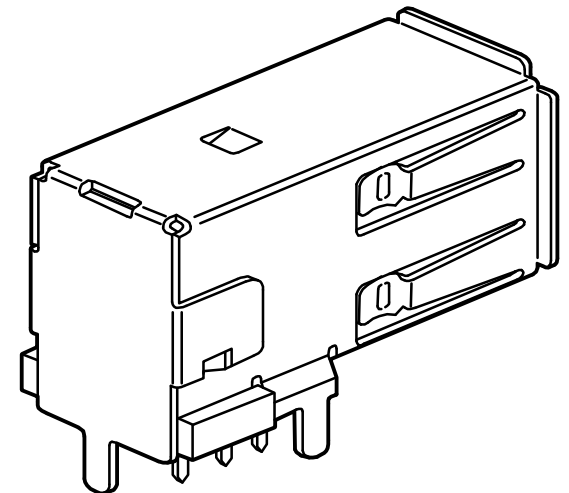
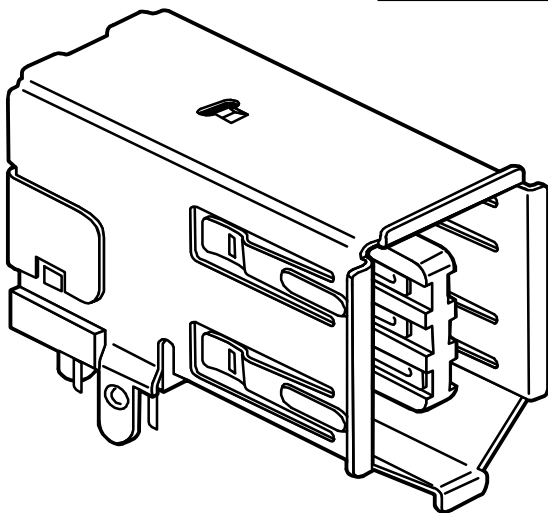


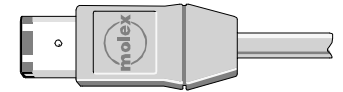
Through Hole/Upright Differential Crosstalk Results



Molex 1394-95 6ckt. I/O

<u>Risetime</u>	<u>Near End (NEXT)</u>	<u>Far End (FEXT)</u>
150 ps	5.6%	2.0%
250 ps	5.2%	1.3%
433 ps	3.8%	0.9%



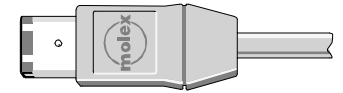


Molex 1394-95 6ckt. I/O



Test Conditions; Differential Risetime Degradation and Propagation Delay

<u>Load Impedance</u>	100 ohms differential (2 x 50 ohm coax)
<u>Source impedance</u>	110 ohms differential (2 x 55 ohm PCB)
<u>Test Risetime (10% - 90%)</u> Vapplied = 500 mV (Equipment used was the Tektronix 11801B Digital Sampling Oscilloscope with SD-24 TDR/DTDR and SD-22 sampling heads)	26ps
<u>Vg and Vp configuration</u>	Both receptacle and plug side are terminated with 30 ohms between Vg and Vp. Coax shields tied to Vg.
<u>External Shield</u> (Receptacle to PCB ground plane network)	R = 1 Megohm shunt C = 2 x 0.05 microfarad parallel ceramic chips @ 50 DCWV shunt



Molex 1394-95 6ckt. I/O

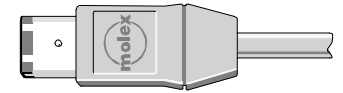


Test Conditions; Differential Risetime Degradation and Propagation Delay

- The risetime degradation data was calculated using the 10% to 90% levels of the input and output pulse to the connector. Where:

$$tr_{connector} = [(tr_{DUT} + test\ system)e^2 - (tr_{test\ system})e]e^{1/2}$$

- From the generated connector risetime degradation value, a first order filter approximation was used ($BW = 0.35/tr$) to convert this risetime value to a bandwidth (-3dB cutoff).
- The propagation delay measurements were taken at both the 10% and 50% levels with 10% levels minimizing filter effects.

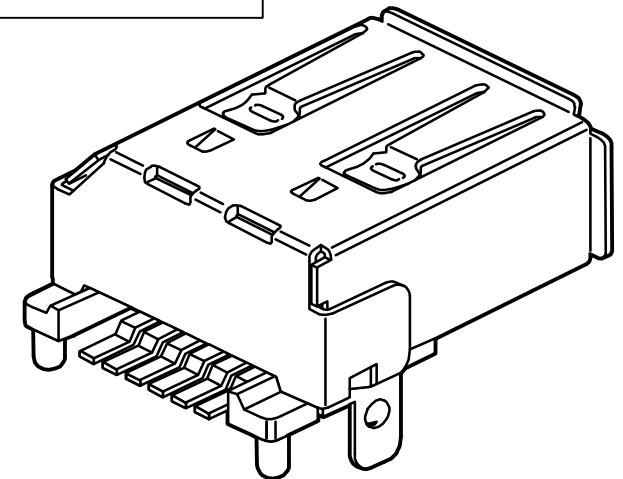
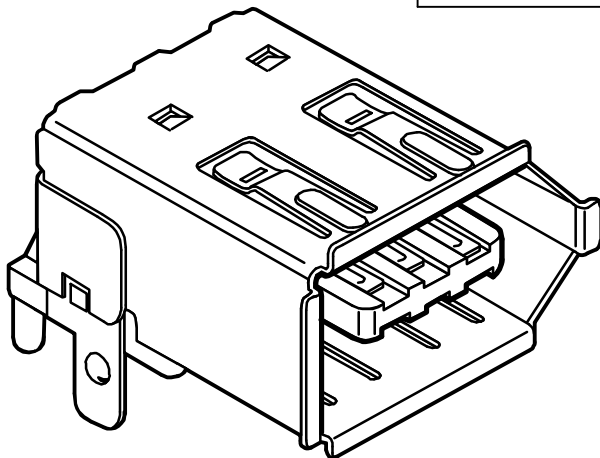


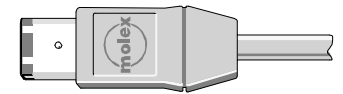
Molex 1394-95 6ckt. I/O



SMT/Flat Differential Risetime Degradation Results

	Connector Risetime Degradation; 10%-90% (psec)	Connector Bandwidth (GHz)
Pair A	40.3 ps	8.7 GHz
Pair B	47.9 ps	7.3 GHz



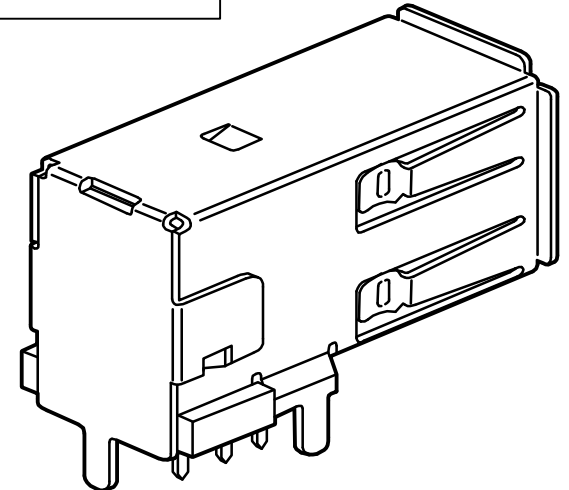
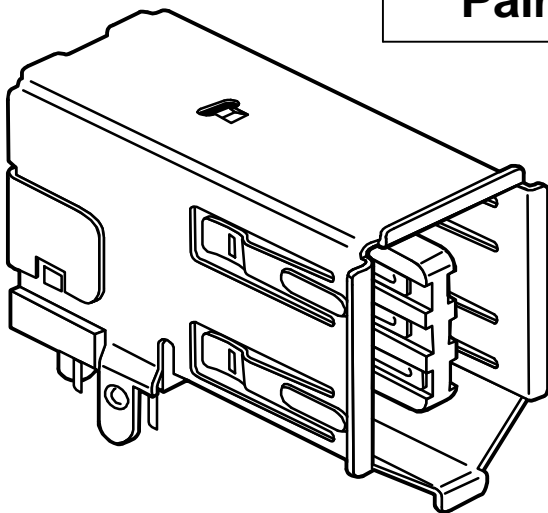


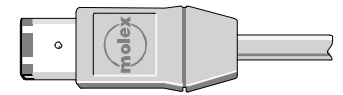
Molex 1394-95 6ckt. I/O



Through Hole/Upright Differential Risetime Degradation Results

	Connector Risetime Degradation; 10%-90% (psec)	Connector Bandwidth (GHz)
Pair A	113.8 ps	3.1 GHz
Pair B	114.1 ps	3.1 GHz



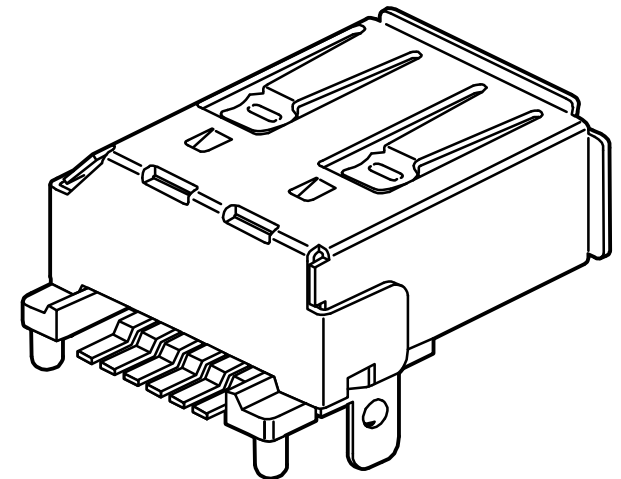
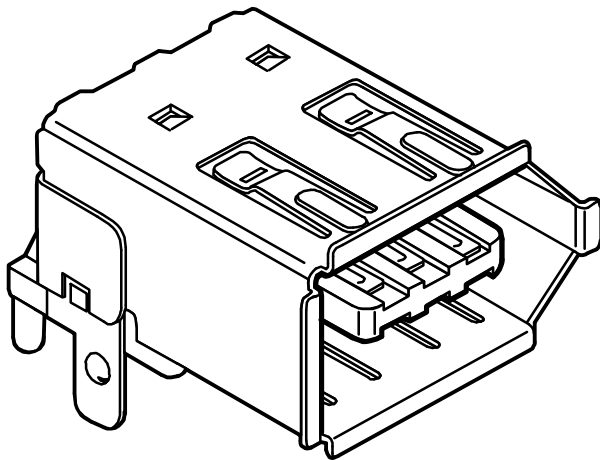


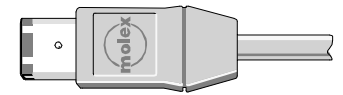
Molex 1394-95 6ckt. I/O



SMT/Flat Differential Propagation Delay Results

	Connector Differential Propagation Delay 10%	Connector Differential Propagation Delay 50%
Pair A	178.7 ps	183.2 ps
Pair B	176.1 ps	183.7 ps



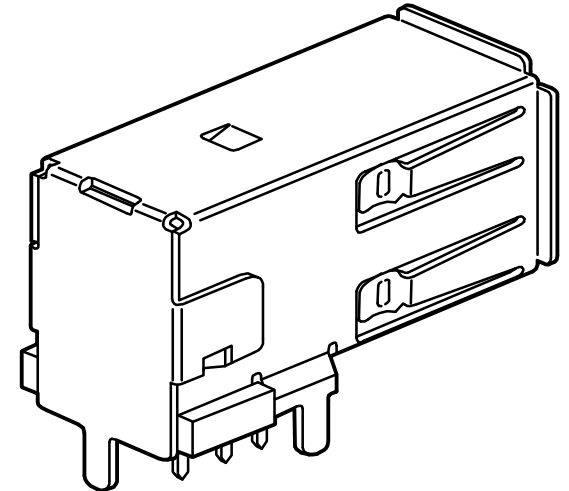
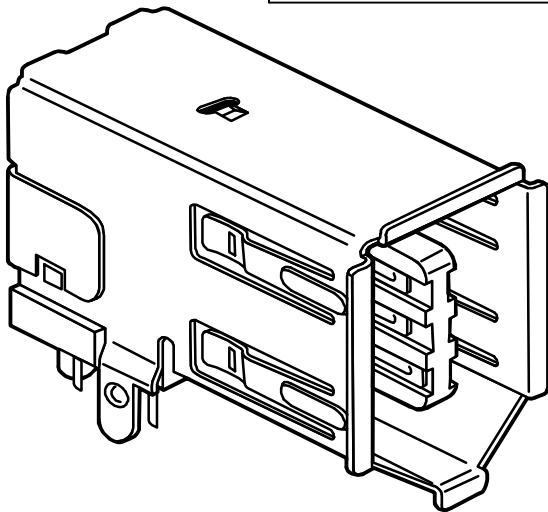


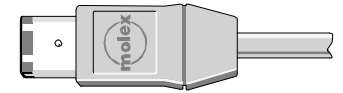
Molex 1394-95 6ckt. I/O



Through Hole/Upright Differential Propagation Delay Results

	Connector Differential Propagation Delay 10%	Connector Differential Propagation Delay 50%
Pair A	169.4 ps	180.4 ps
Pair B	181.5 ps	199.6 ps



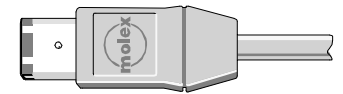


Molex 1394-95 6ckt. I/O



Recommendations/Conclusions

- Differential specification
Limit 1394.a differential system risetimes to no faster than **0.5 nanoseconds**
- Single-ended specification
Given that only 10-20 ns risetimes are necessary to service the "Speed Signaling" function, limit 1394.a single-ended (Speed Signaling) system risetimes to no faster than **3 nanoseconds**

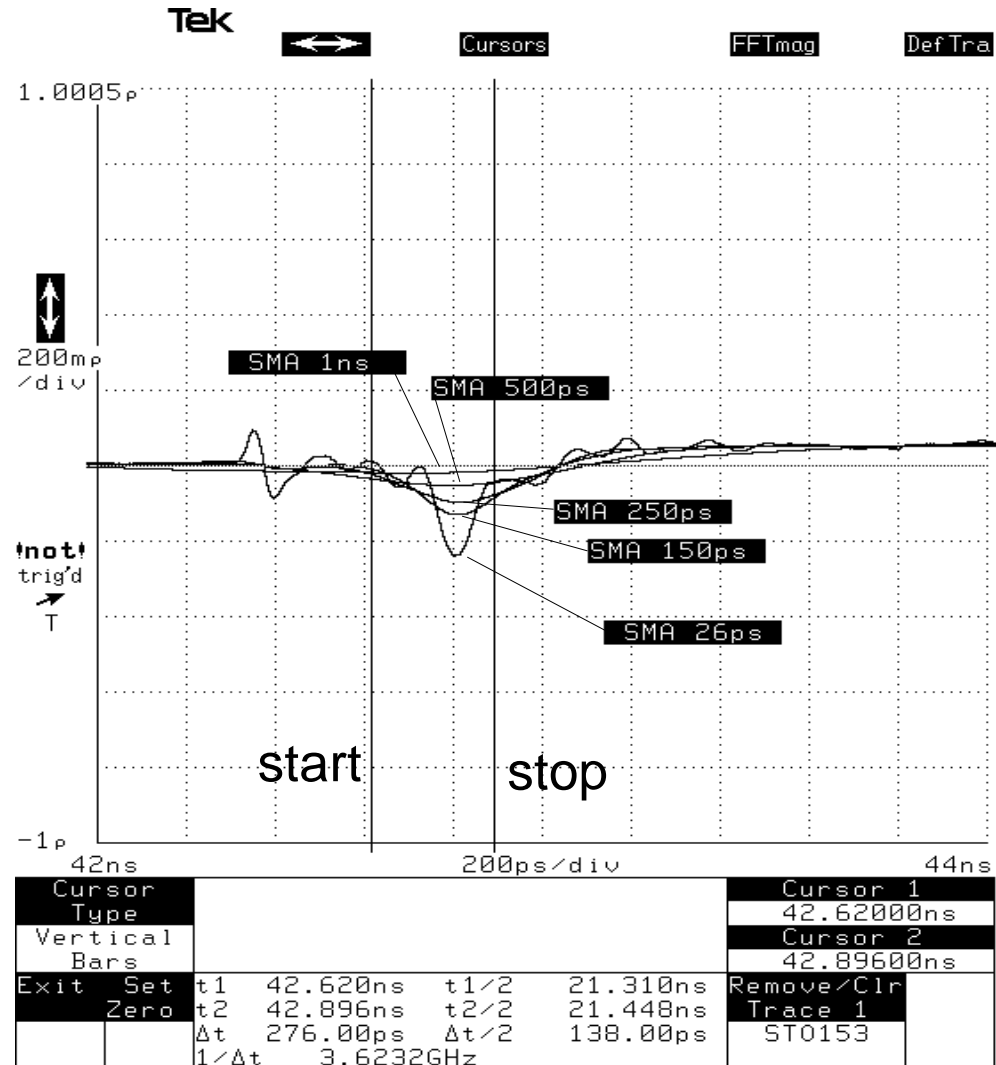


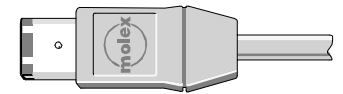
Molex 1394-95 6ckt. I/O



SMT Receptacle mated with plug (TPA-TPA*)

Differential Impedance



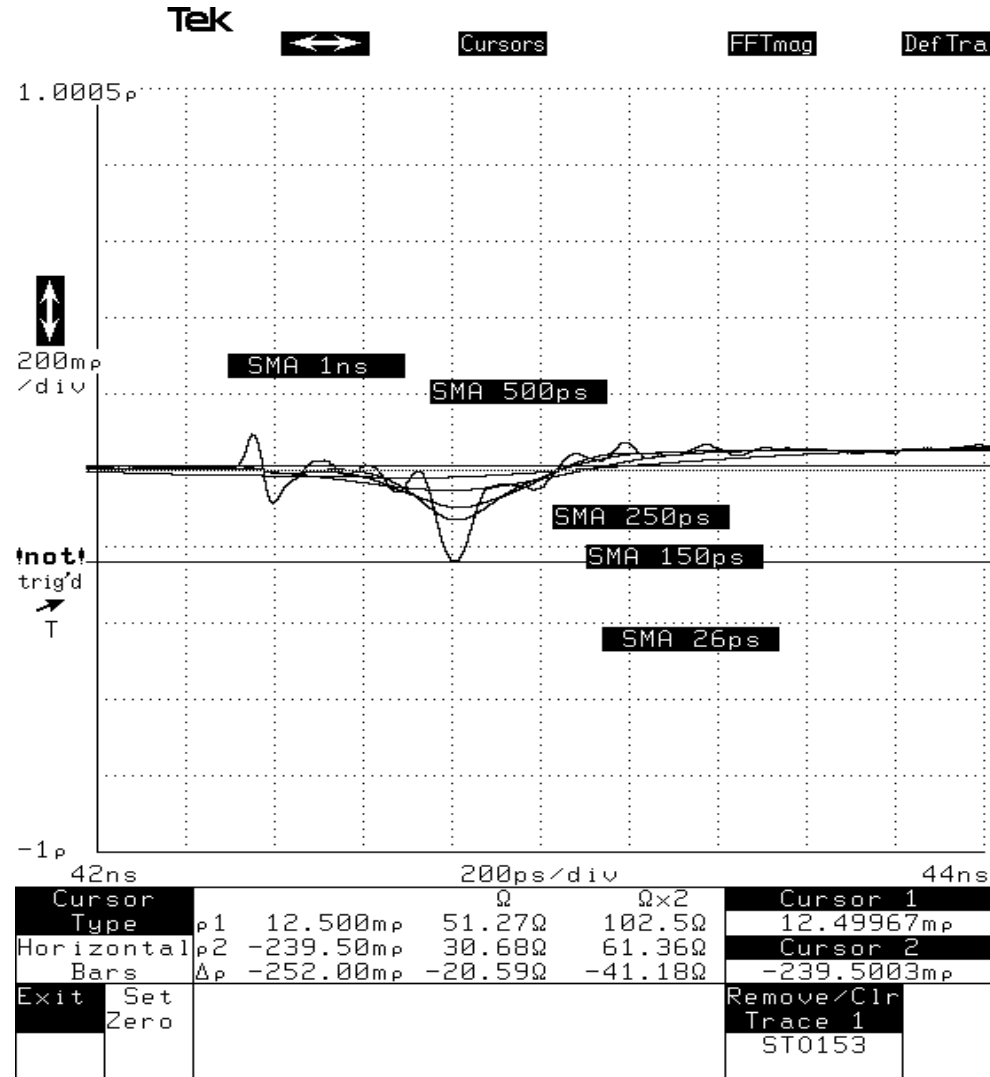


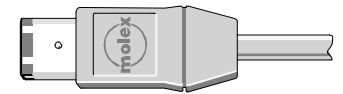
Molex 1394-95 6ckt. I/O



SMT Receptacle mated with plug (TPA-TPA*)

Differential Impedance @ tr = 26 ps



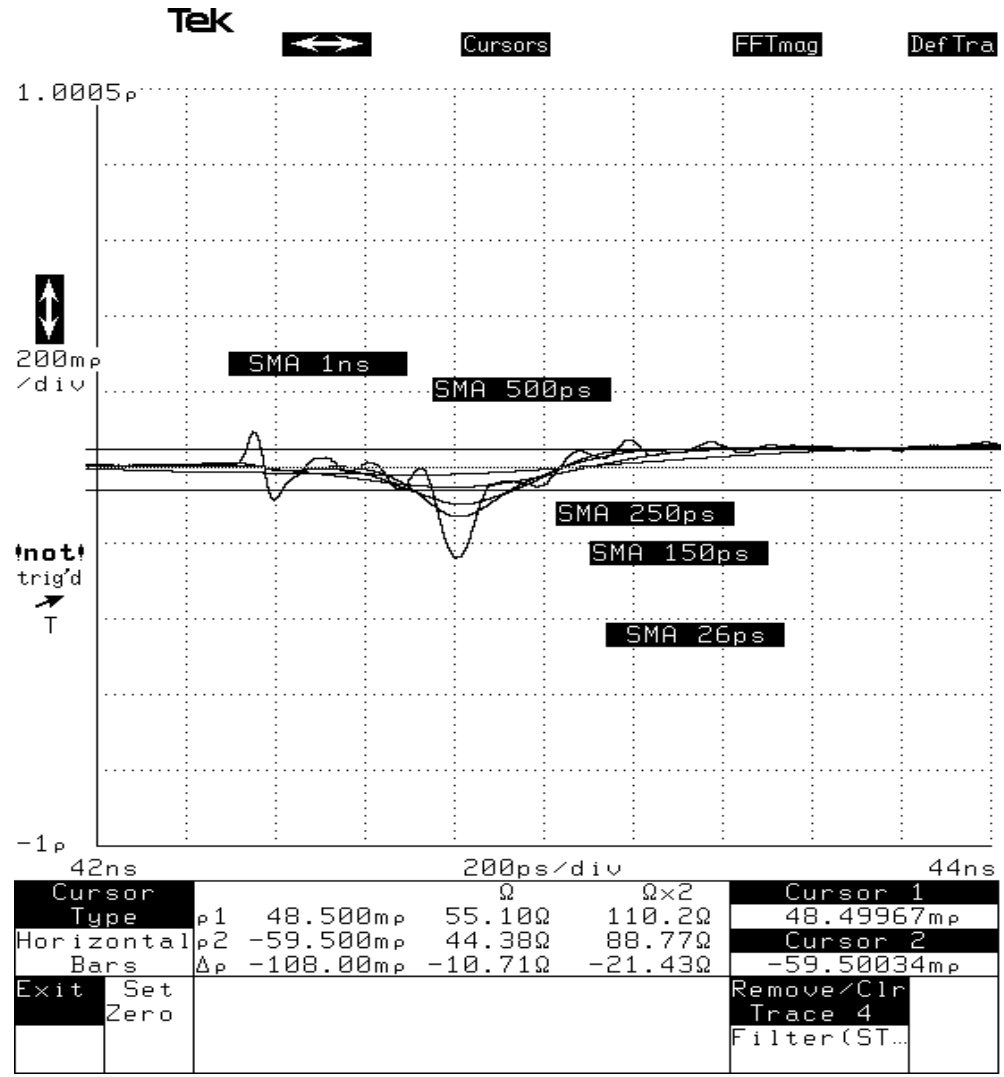


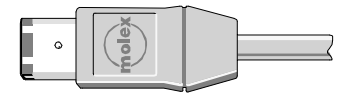
Molex 1394-95 6ckt. I/O



SMT Receptacle mated with plug (TPA-TPA*)

Differential Impedance @ $t_r = 500$ ps

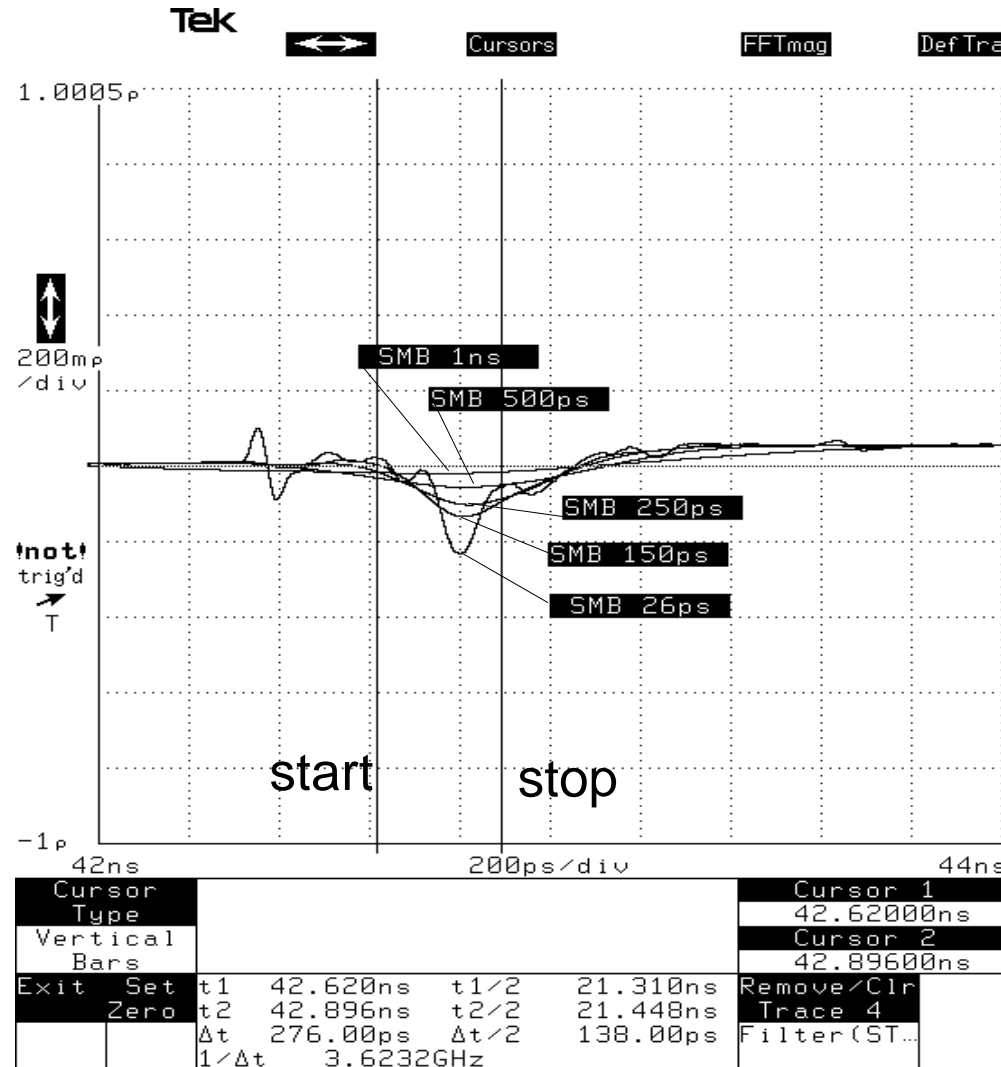


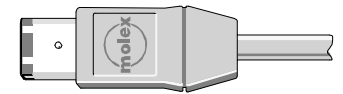


Molex 1394-95 6ckt. I/O



SMT Receptacle mated with plug (TPB-TPB*) Differential Impedance



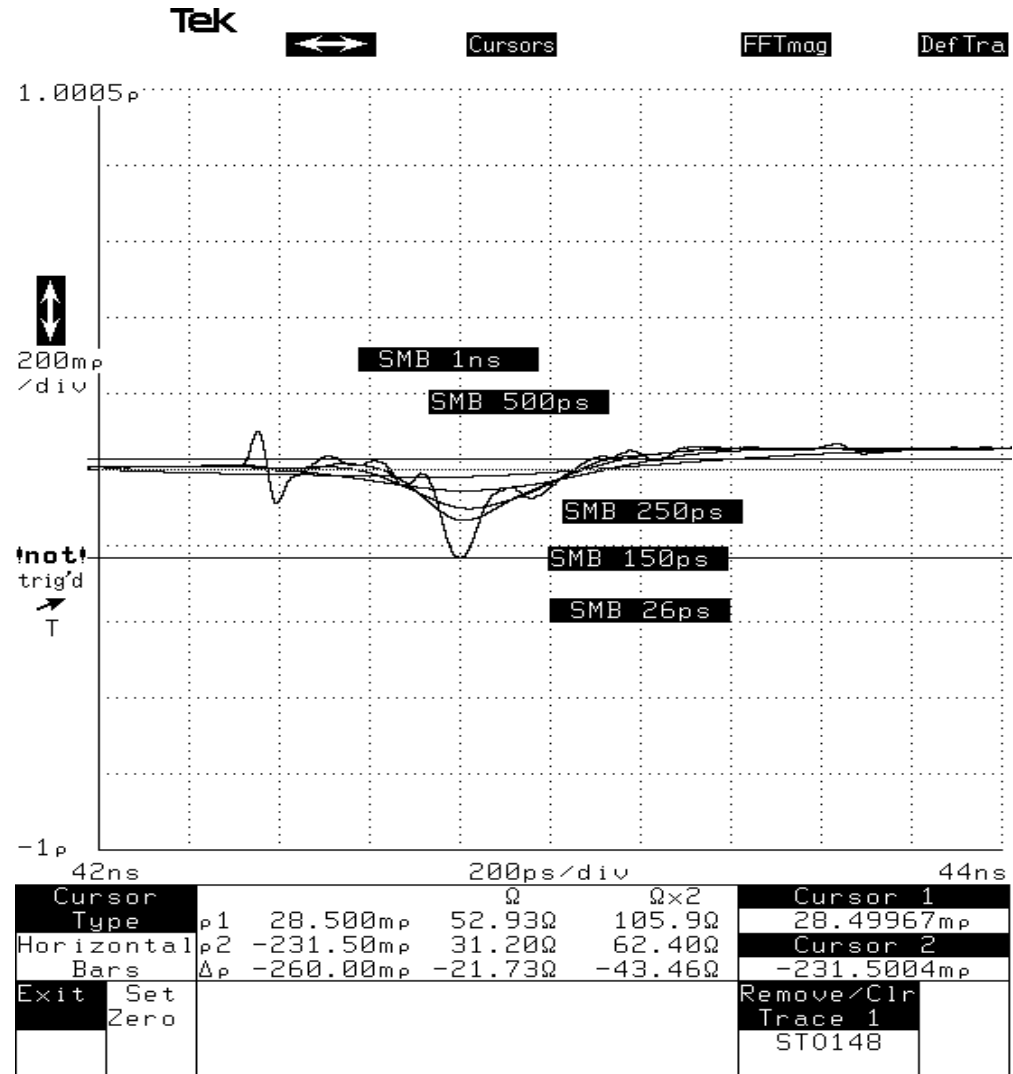


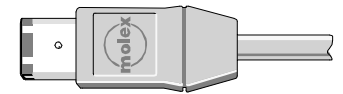
Molex 1394-95 6ckt. I/O



SMT Receptacle mated with plug (TPB-TPB*)

Differential Impedance @ $t_r = 26 \text{ ps}$



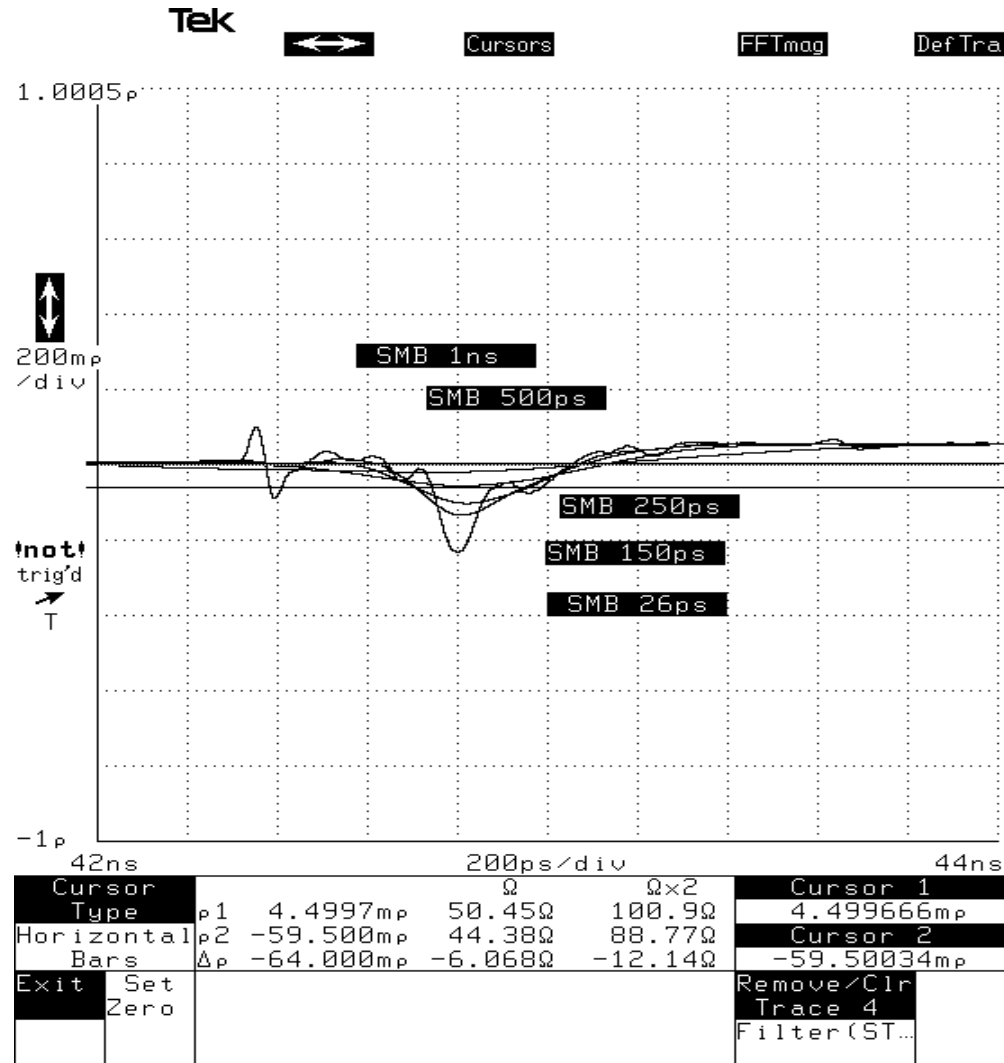


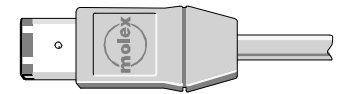
Molex 1394-95 6ckt. I/O



SMT Receptacle mated with plug (TPB-TPB*)

Differential Impedance @ tr = 500 ps



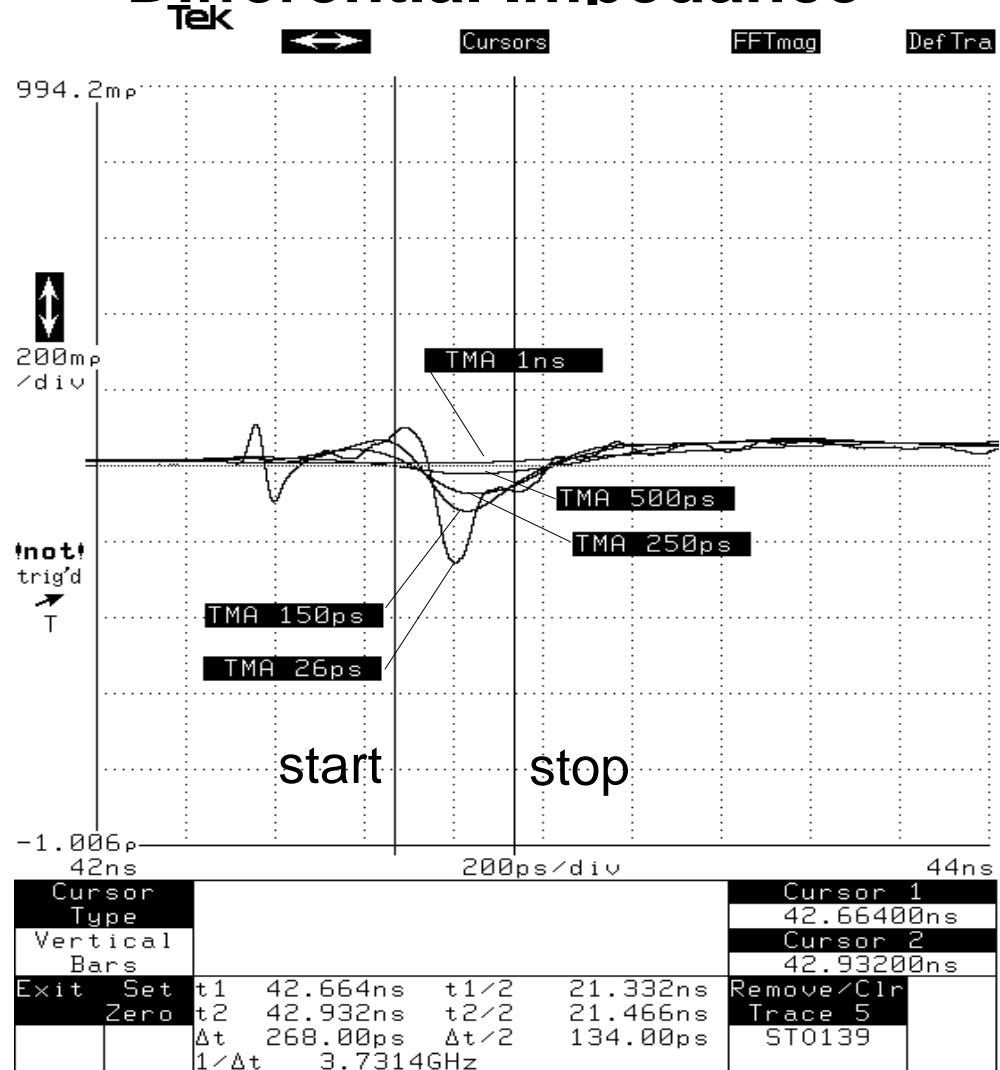


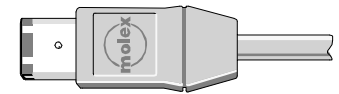
Molex 1394-95 6ckt. I/O



Through-hole Receptacle mated with plug (TPA-TPA*)

Differential Impedance



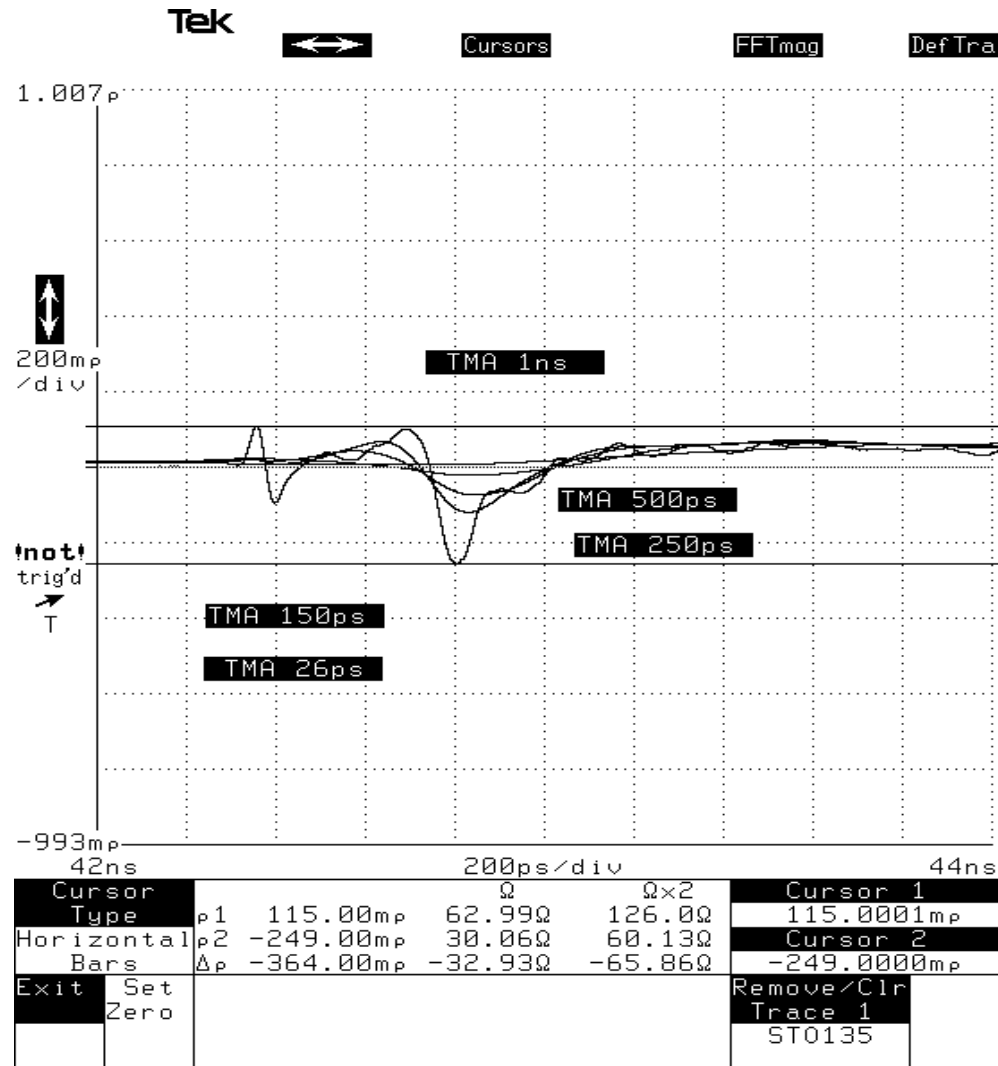


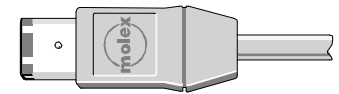
Molex 1394-95 6ckt. I/O



Through-hole Receptacle mated with plug (TPA-TPA*)

Differential Impedance @ $t_r = 26ps$



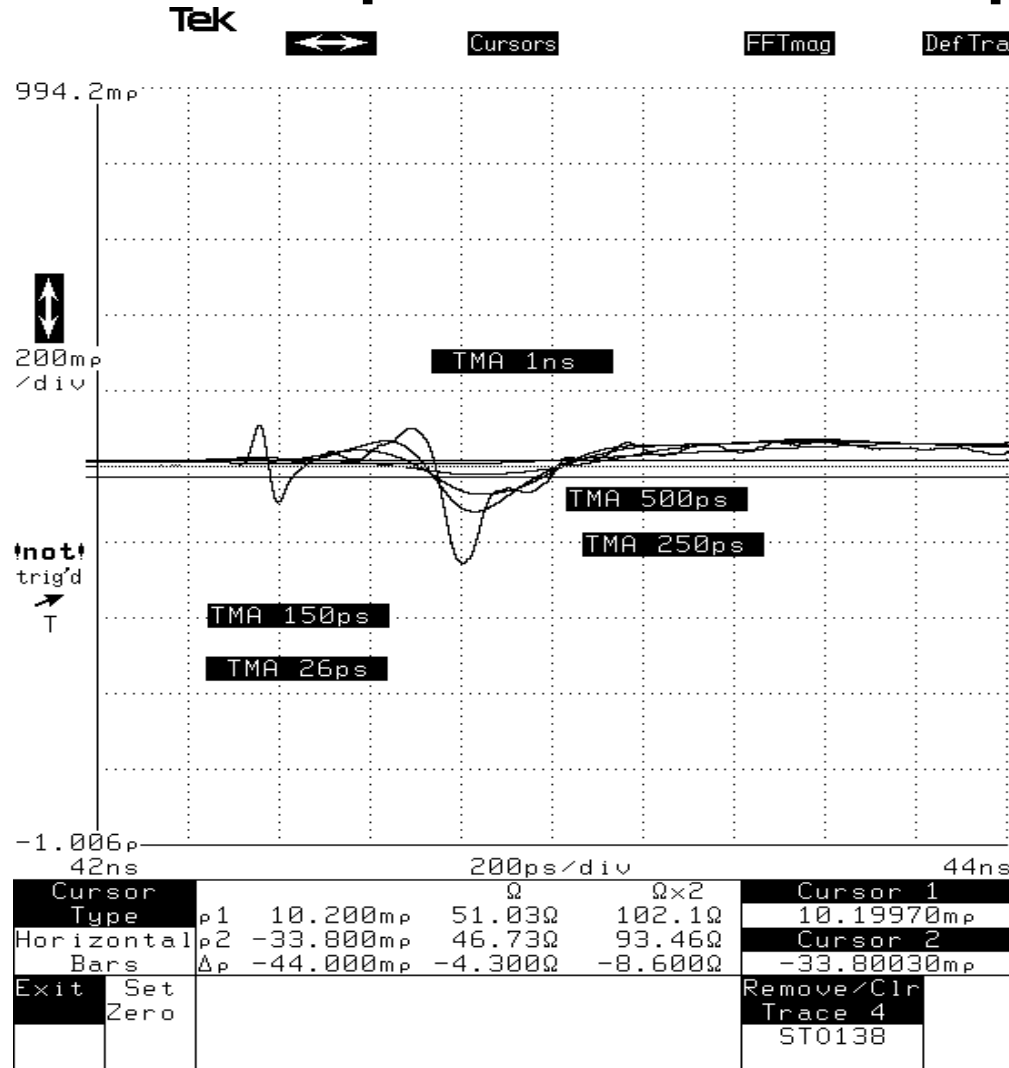


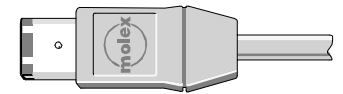
Molex 1394-95 6ckt. I/O



Through-hole Receptacle mated with plug (TPA-TPA*)

Differential Impedance @ tr = 500ps

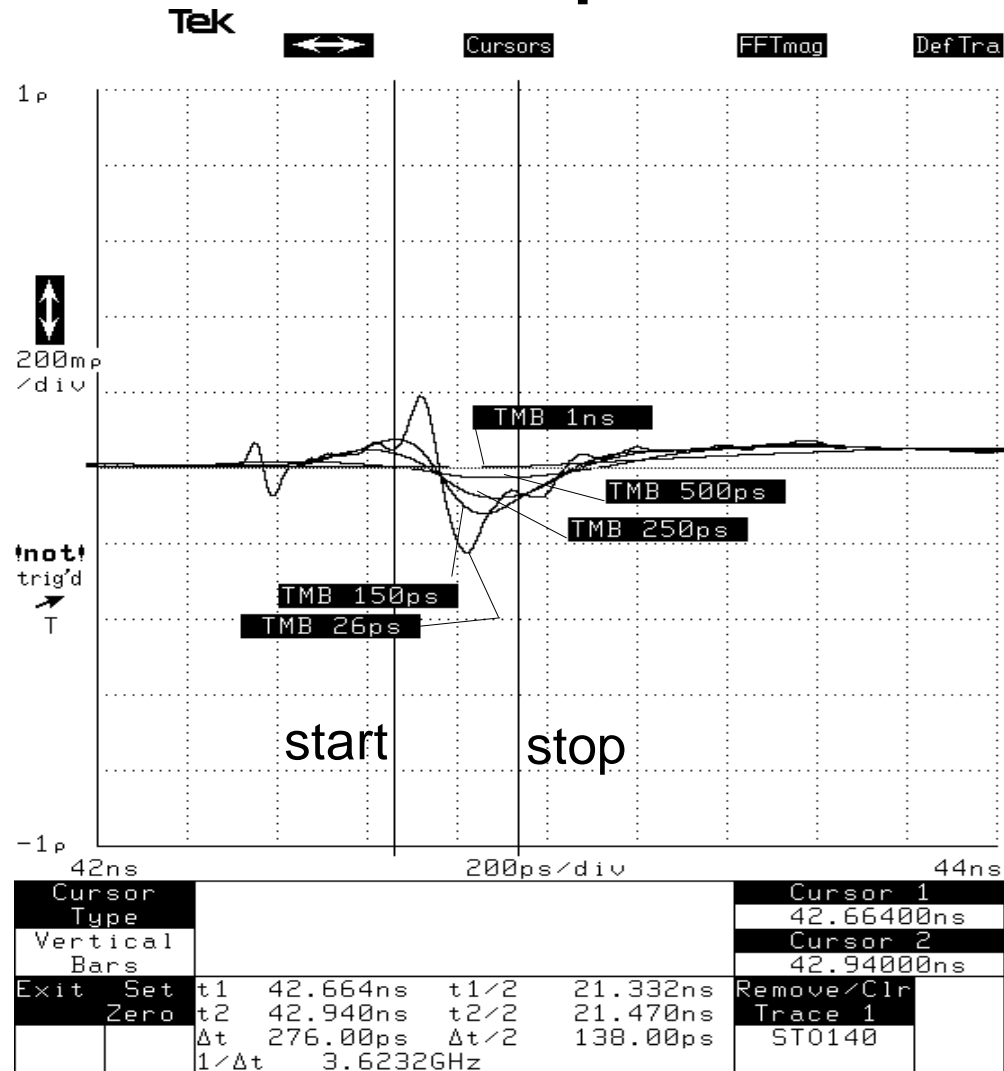


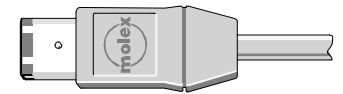


Molex 1394-95 6ckt. I/O



Through-hole Receptacle mated with plug (TPB-TPB*) Differential Impedance



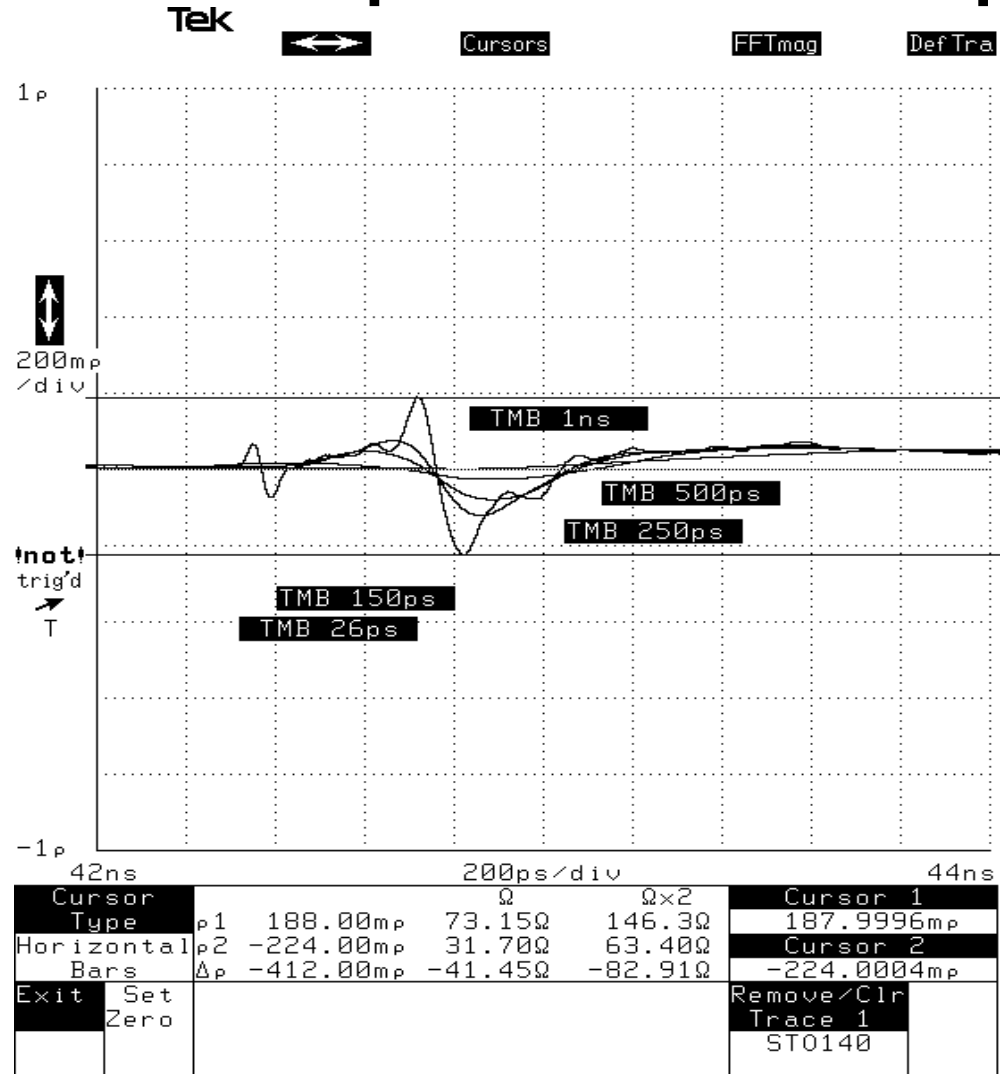


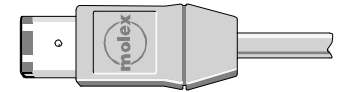
Molex 1394-95 6ckt. I/O



Through-hole Receptacle mated with plug (TPB-TPB*)

Differential Impedance @ $t_r = 26 \text{ ps}$



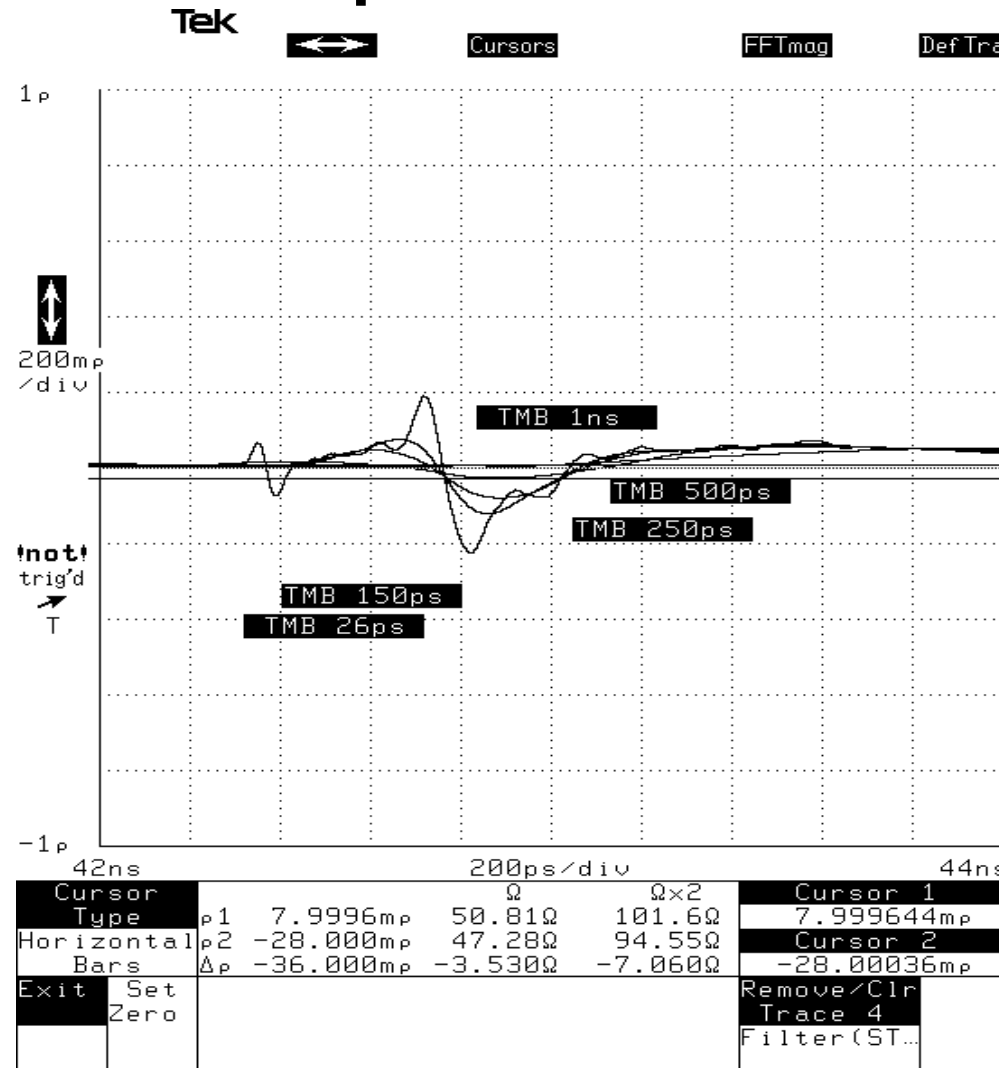


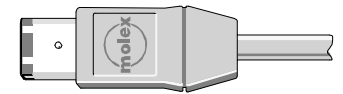
Molex 1394-95 6ckt. I/O



Through-hole Receptacle mated with plug (TPB-TPB*)

Differential Impedance @ $t_r = 500 \text{ ps}$





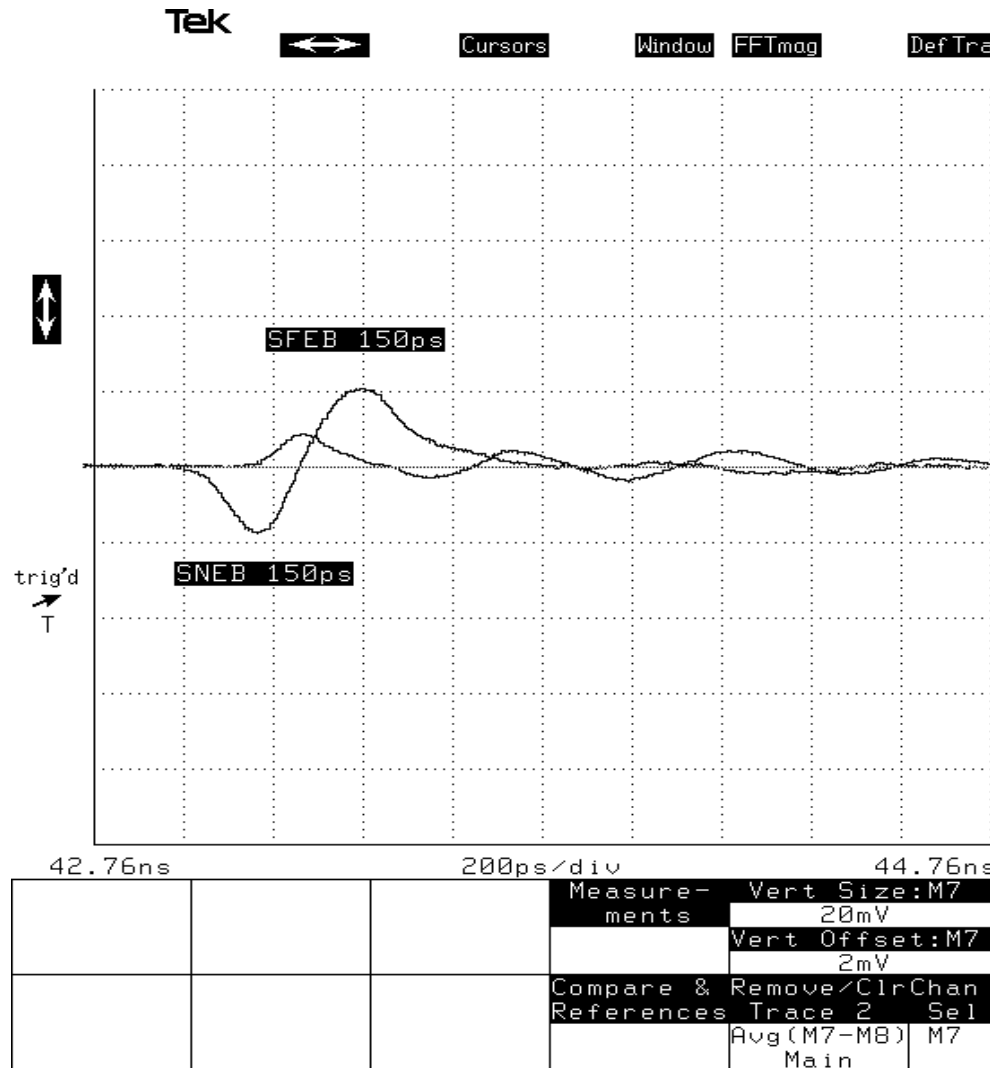
Molex 1394-95 6ckt. I/O

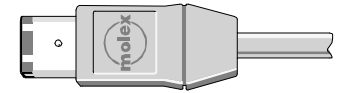


Differential Crosstalk for SMT Connector

$t_r = 150 \text{ ps}$

NEXT = +21 mV (4.2%), FEXT = +10mV (2.0%)





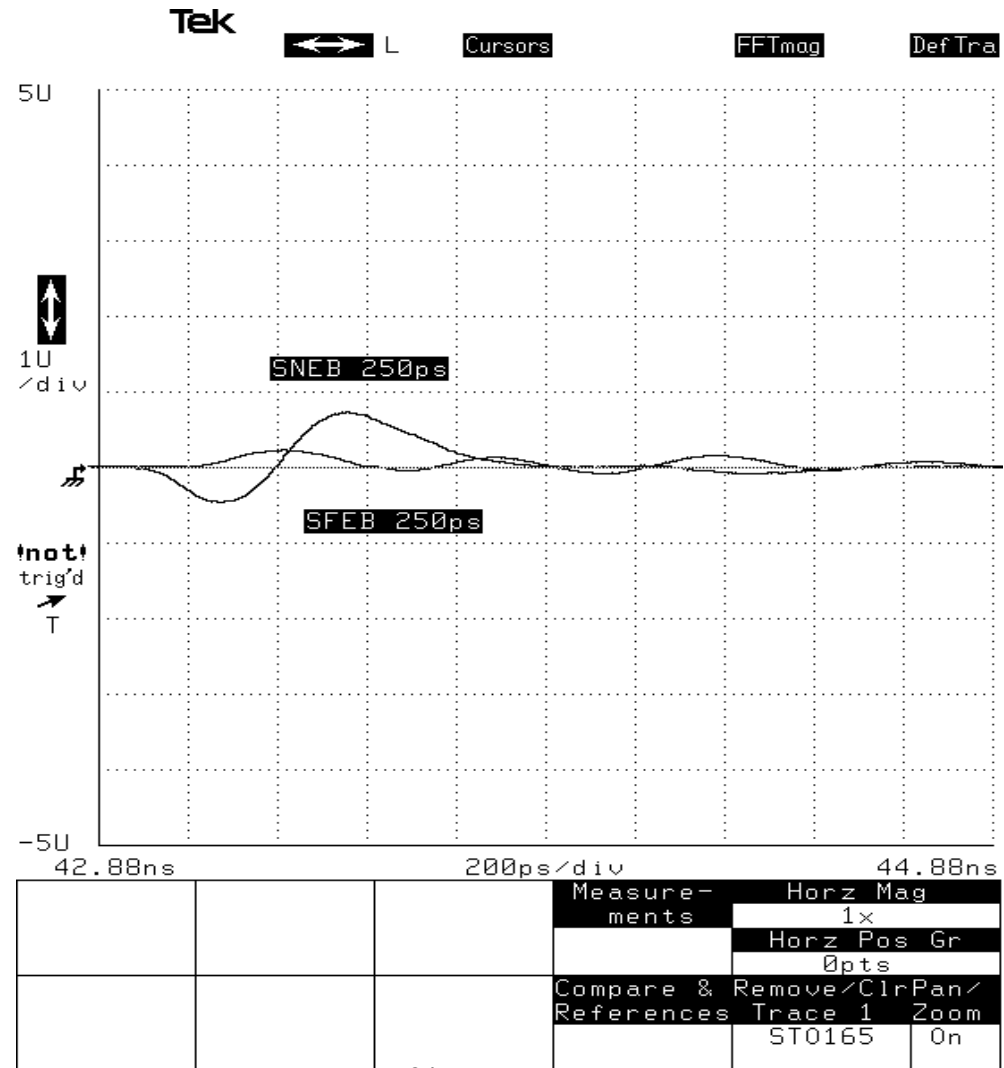
Molex 1394-95 6ckt. I/O

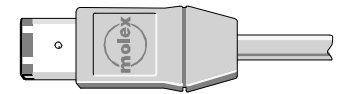


Differential Crosstalk for SMT Connector

$t_r = 250 \text{ ps}$

NEXT = +18 mV (3.6%), FEXT = +4.9 mV (1.0%)





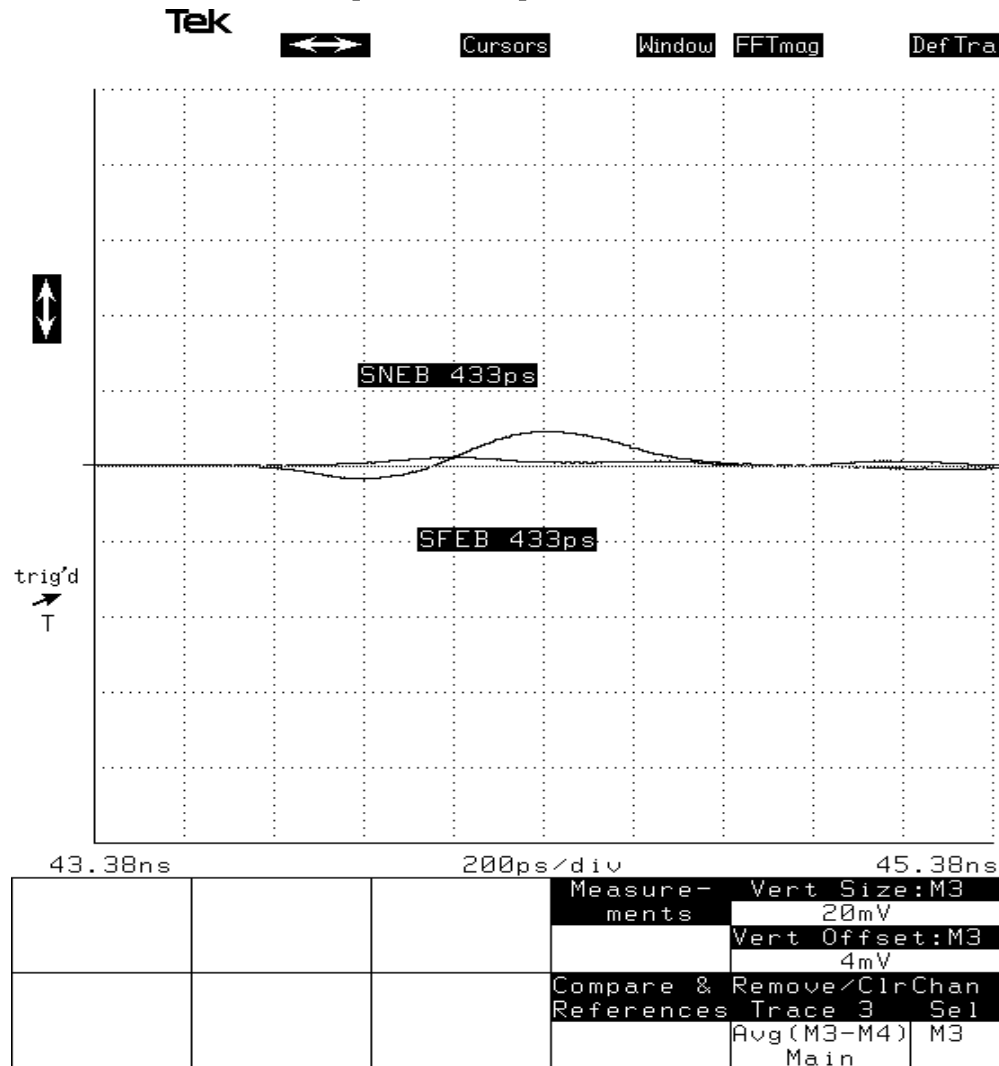
Molex 1394-95 6ckt. I/O

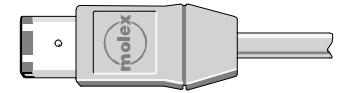


Differential Crosstalk for SMT Connector

$t_r = 433 \text{ ps}$

NEXT = +9.7 mV (1.9%), FEXT = +2.5 mV (0.5%)



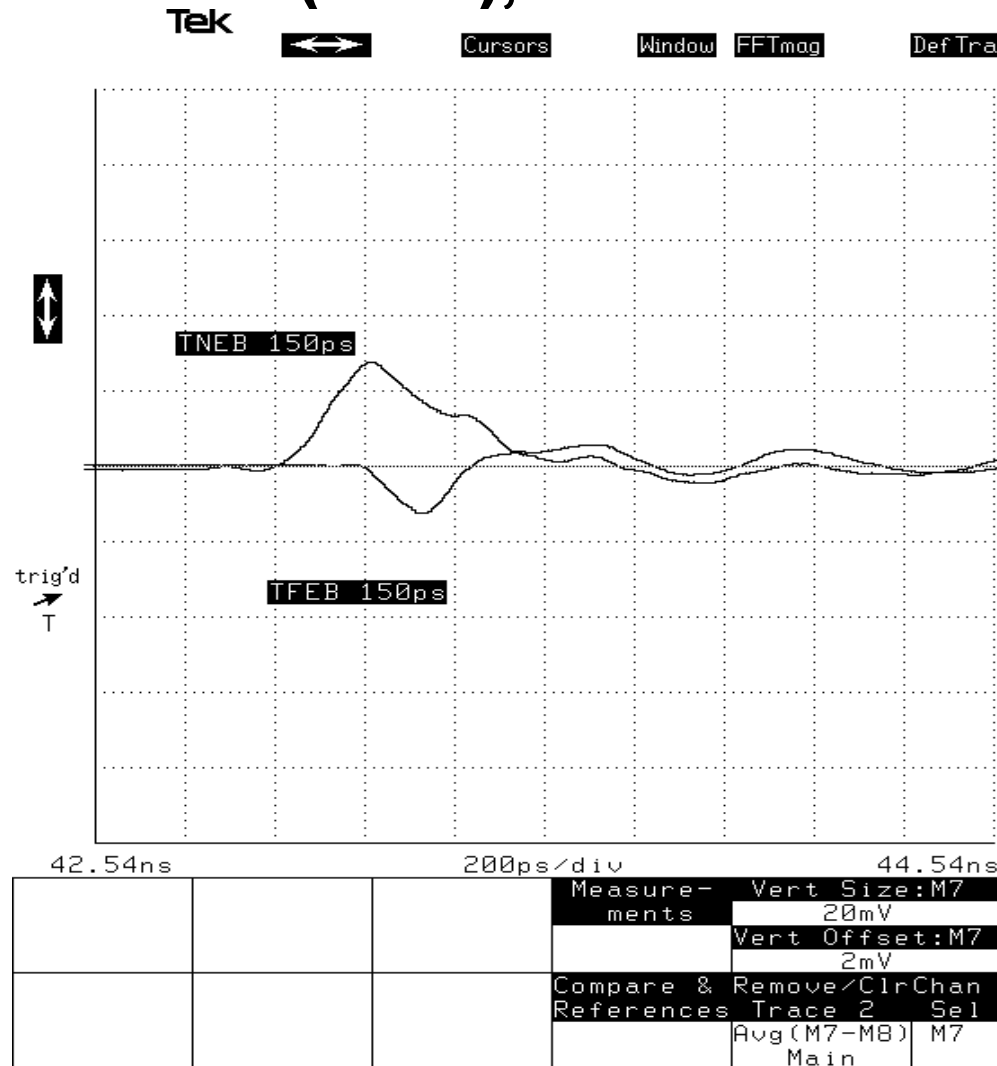


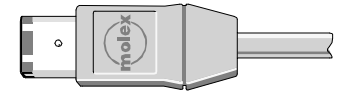
Molex 1394-95 6ckt. I/O

Differential Crosstalk for Through-hole Connector

$t_r = 150 \text{ ps}$

NEXT = +28 mV (5.6%), FEXT = -10 mV (2.0%)





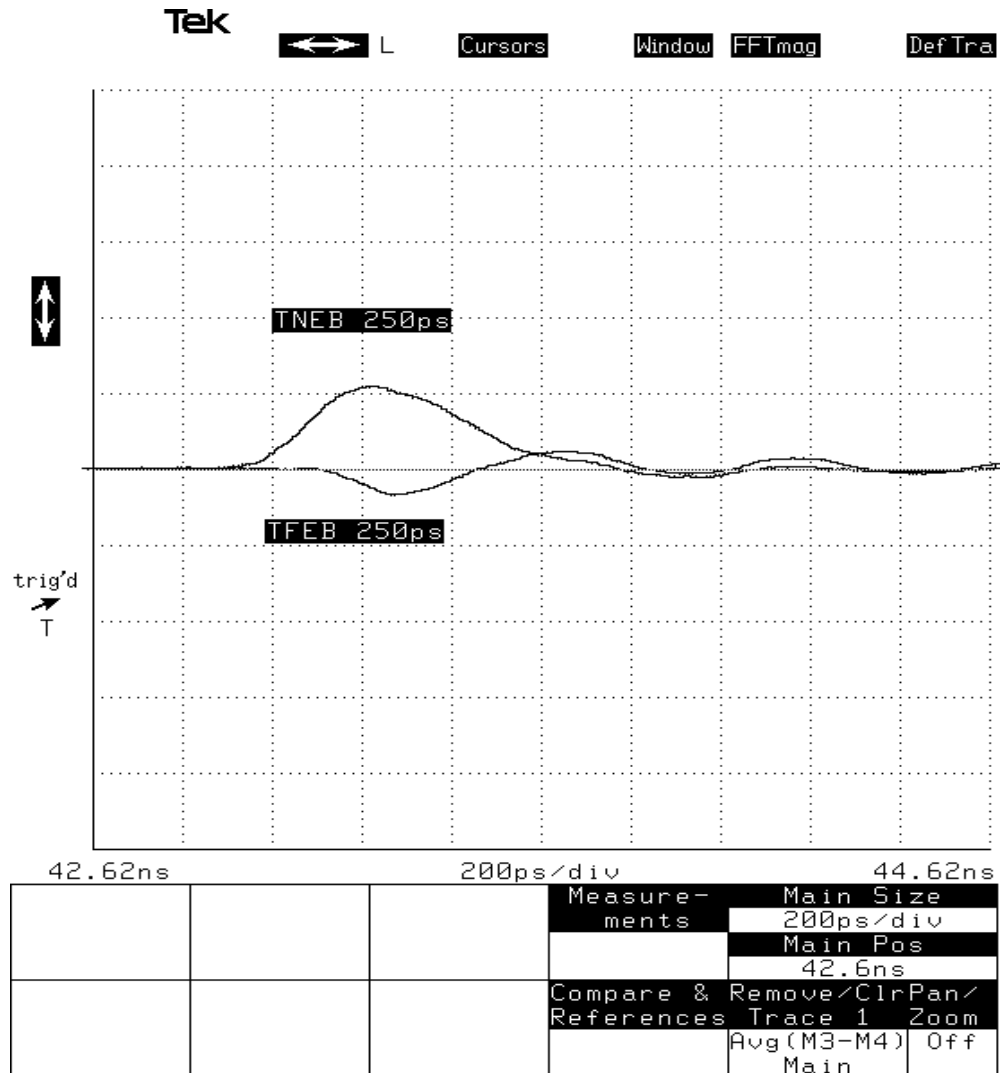
Molex 1394-95 6ckt. I/O

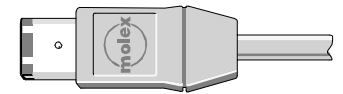


Differential Crosstalk for Through-hole Connector

$t_r = 250 \text{ ps}$

NEXT = +26 mV (5.2%), FEXT = -6.7 mV (1.3%)





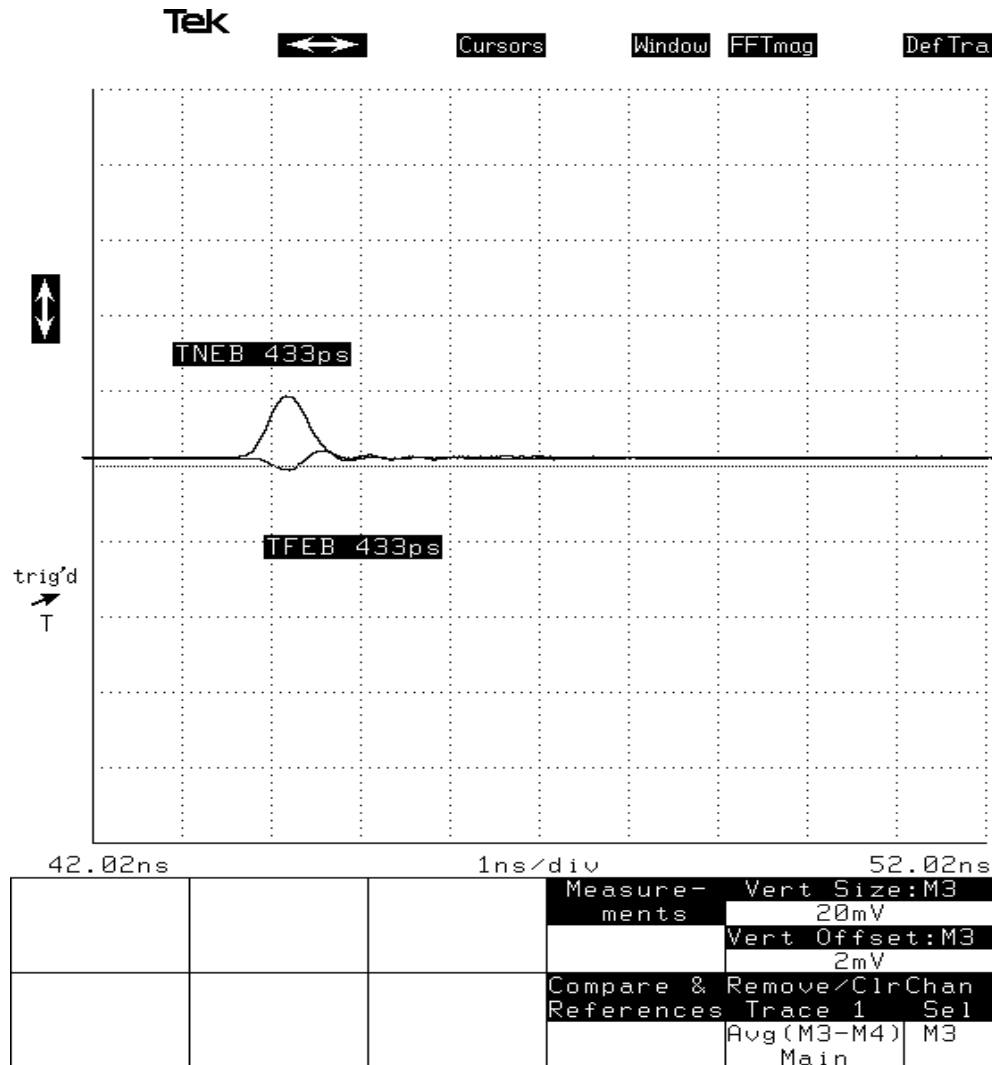
Molex 1394-95 6ckt. I/O

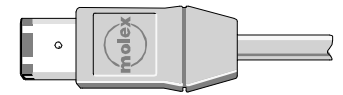


Differential Crosstalk for Through-hole Connector

$t_r = 433 \text{ ps}$

NEXT = +18.9 mV (3.8%), FEXT = +4.3 mV (0.9%)

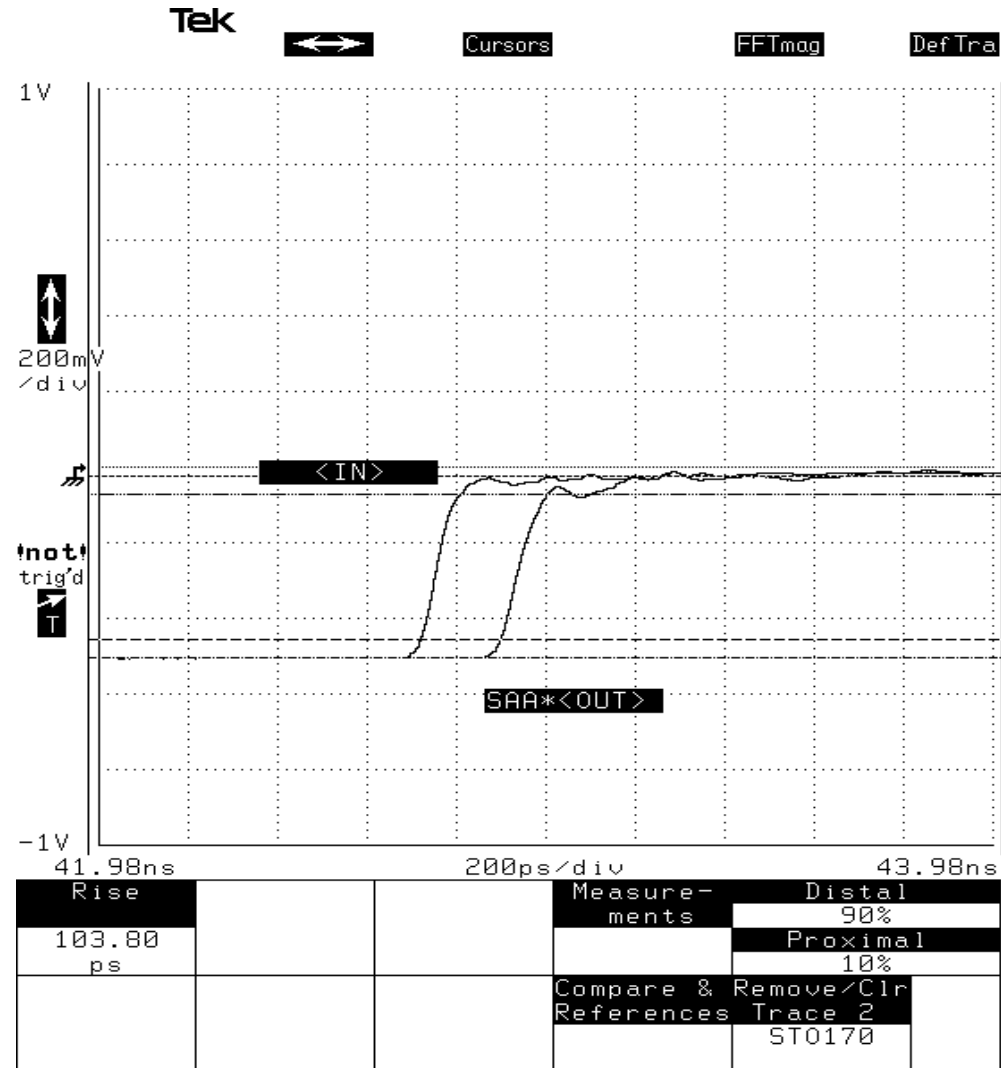


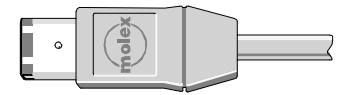


Molex 1394-95 6ckt. I/O



SMT Connector Typical Transmission Through





Molex 1394-95 6ckt. I/O



Through-hole Connector Typical Transmission Through

